

EPA Est. 96318-WA-1

CONGRATULATIONS

You've purchased a Series R UVC Upper Room Linear Wall Fixture that will help clean the air in your facility.

Please read these instructions thoroughly before operating the fixture. If you have any questions, please contact our Customer Experience team at 425.595.6330, or support@safeology.com

APPLICATION

These instructions apply only to Upper Room Linear Recessed Fixtures manufactured by Electric Mirror and distributed under the brand name Safeology. The product may be referred to as a "fixture" throughout these instructions.

TABLE OF CONTENTS

I. REVIEW AND FOLLOW IMPORTANT SAFETY INSTRUCTIONS.....	2
II. UNPACK YOUR UPPER ROOM LINEAR WALL FIXTURE.....	4
III. PREPARE THE ELECTRICAL.....	4
IV. INSTALL THE FIXTURE.....	5
V. CONNECT ELECTRICAL AND INSTALL LAMPS.....	7
VI. OPERATING INSTRUCTIONS.....	8

I. REVIEW AND FOLLOW IMPORTANT SAFETY INSTRUCTIONS



A. Read first.

1. READ AND FOLLOW ALL SAFETY INSTRUCTIONS
2. WARNING: RISK OF ELECTRICAL SHOCK
3. ALWAYS USE A GROUNDED OUTLET
4. SAVE THESE INSTRUCTIONS

B. Take caution: UVC radiation poses a potential hazard.

1. Never look directly at lamp while on, as UVC radiation can cause severe eye and skin damage.
2. Always turn purifier off before lamp replacement.
3. When replacing lamps, replace them only with the lamps for which the equipment is marked and intended.

C. Follow important safeguards.

1. This equipment is designed for use with germicidal UVC radiation sources and must be operated in compliance with these Instructions to prevent risk of personal injury from UVC radiation.
2. Turn off all power before servicing.
3. Maintenance and servicing of this UVC equipment must be performed by authorized personnel.
4. The use of accessory equipment not recommended by the manufacturer may cause an unsafe condition.
5. Do not use this equipment for other than intended use.

D. Read operating instructions prior to operating the purifier.

1. Operate the purifier according to these instructions.
2. Failure to follow these instructions voids the warranty.

E. To be installed by qualified electrician.

1. Follow national electric code during installation.
2. Turn off power at breaker before installation or servicing.
3. Be careful to avoid risk of electrical shock.
4. Ensure fixture is grounded.
5. Install per manufacturer's stated guidelines – see section V:A.

F. Mercury lamp disposal and clean up.

1. If lamp breaks, follow instructions found here: <https://www.epa.gov/cfl/cleaning-broken-cfl>
2. See following website for disposal information: <https://www.epa.gov/cfl/recycling-and-disposal-cfls-and-other-bulbs-contain-mercury#wherecycle>

ATTENTION RISQUE DE RAYONNEMENT UVC

CONSIGNES DE SÉCURITÉ IMPORTANTES

1. LISEZ ET SUIVEZ TOUTES LES CONSIGNES DE SÉCURITÉ
2. AVERTISSEMENT: RISQUE DE CHOC ÉLECTRIQUE
3. UTILISEZ TOUJOURS UNE PRISE MISE À LA TERRE
4. COUPEZ L'ALIMENTATION AU DISJONCTEUR AVANT L'INSTALLATION OU L'ENTRETIEN
5. CONSERVEZ CES INSTRUCTIONS

GARANTIES IMPORTANTES

Lors de l'utilisation d'équipements électriques, des précautions de sécurité de base doivent toujours être suivies, notamment les suivantes:

LISEZ ET SUIVEZ TOUTES LES CONSIGNES DE SÉCURITÉ

1. Cet équipement est conçu pour être utilisé avec des sources de rayonnement UV germicides et doit être utilisé conformément à ces instructions pour éviter tout risque de blessure par rayonnement UV.
2. La maintenance et l'entretien de cet équipement générateur d'UV doivent être effectués par du personnel autorisé. Toujours débrancher de l'alimentation avant l'entretien
3. Lors du remplacement des lampes, remplacez-les uniquement par les lampes pour lesquelles l'équipement est marqué et conçu.
4. L'utilisation d'équipements accessoires non recommandés par le fabricant peut entraîner une situation dangereuse.
5. N'utilisez pas cet équipement à d'autres fins que celles pour lesquelles il a été conçu.

CONSERVEZ CES INSTRUCTIONS

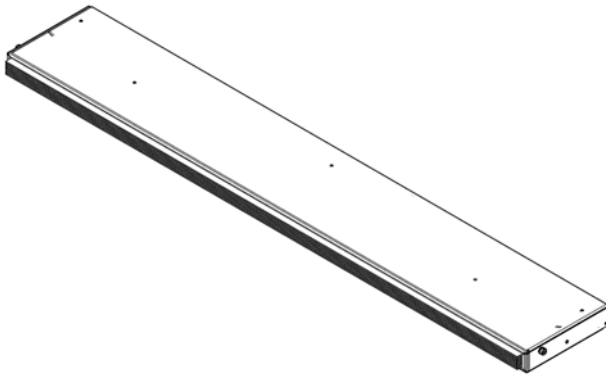
Le rayonnement UVC peut provoquer de graves lésions oculaires et cutanées. Ne regardez jamais directement la lampe lorsqu'elle est allumée. Éteignez toujours le produit avant de remplacer la lampe. L'appareil doit être installé et utilisé en stricte conformité avec ces instructions. Appareil fonctionnant selon les directives du fabricant.

II. UNPACK YOUR UPPER ROOM LINEAR WALL FIXTURE

A. Verify the contents.

1. Unpack the box, identify, and verify all contents prior to installation. In general, your fixture will include the following:

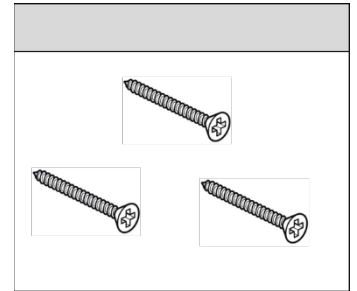
UVC Linear Wall Fixture - SRLW



UVC Lamp



Mounting Hardware



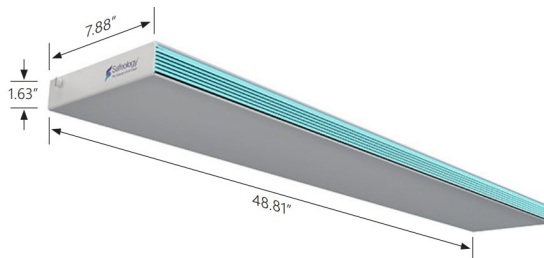
III. PREPARE THE ELECTRICAL

- A. Ensure all power is off to installation area by turning off breaker.
- B. Ensure fixture will be controlled by on/off switch on wall.
- C. Run wiring through 1/2" flexible conduit to knockout location specified below.
 1. For cord connected fixtures, mount fixture above existing outlet.

IV. INSTALL THE FIXTURE

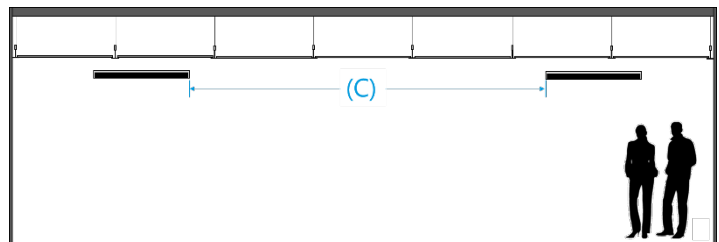
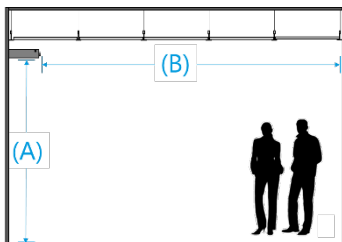
A. Determine location where fixture will be mounted.

1. Placement of fixture is critical for safe and effective operation.
 - a. Mount the fixture in an area with good air circulation for best results.
 - b. Follow installation instructions carefully.
 - c. Consider any ceiling reflection of UVC.
 - d. Survey the room immediately after installation with a UVC detection meter to ensure safe level of UVC in occupied spaces.
2. Ceiling height locations.
 - a. Identify the fixture purchased:



- b. Identify appropriate installation height using the table and diagram below (diagram not to scale). Measure installation height from the top of the finished floor to the bottom of the fixture.

Fixture	Minimum Installation Height (A)	Maximum distance to opposing wall parallel to fixture (B)	Minimum separation between fixtures on same wall (end to end) (C)
SRLW-50	8' 2"	17' 0"	4' 0"
SRLW-50-CC2	8' 2"	17' 0"	4' 0"
SRLW-50	8' 6"	32' 0"	8' 0"
SRLW-50-CC2	8' 6"	32' 0"	8' 0"



* These distances are calculated based on the installation heights (A). Different heights may require different separation distances.

Series R: UVC Upper Room Linear Wall Fixture

Installation and Operating Instructions

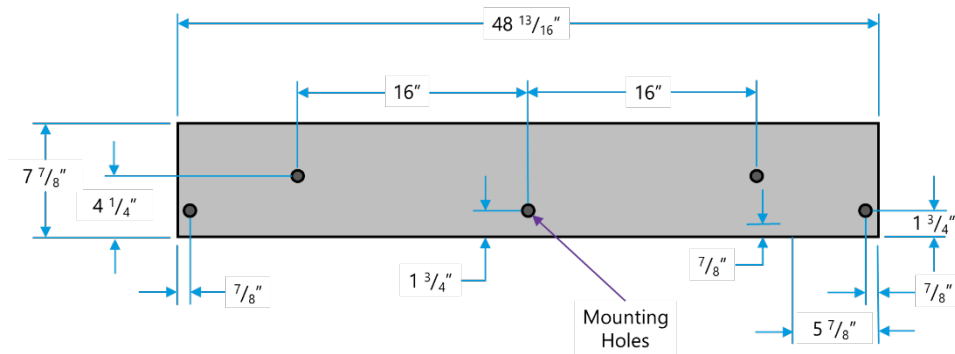


B. Prepare for mounting fixture.

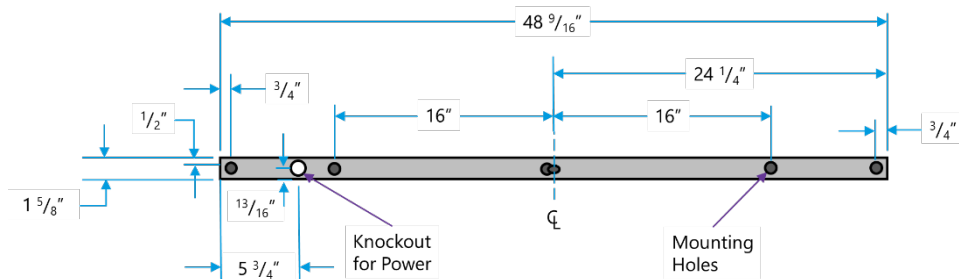
1. Locate center mounting hole on center of wall stud or ceiling joist.
2. Use three mounting holes 16" on center.
3. Mounting hardware included.

C. Mark mounting hole locations on wall or ceiling.

1. For mounting fixture on ceiling:

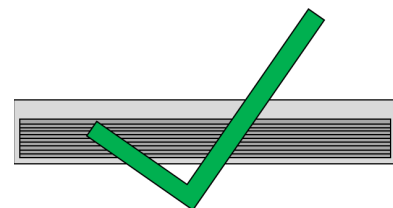
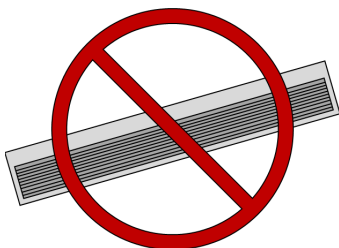


2. For mounting fixture on wall:



D. Mount the fixture.

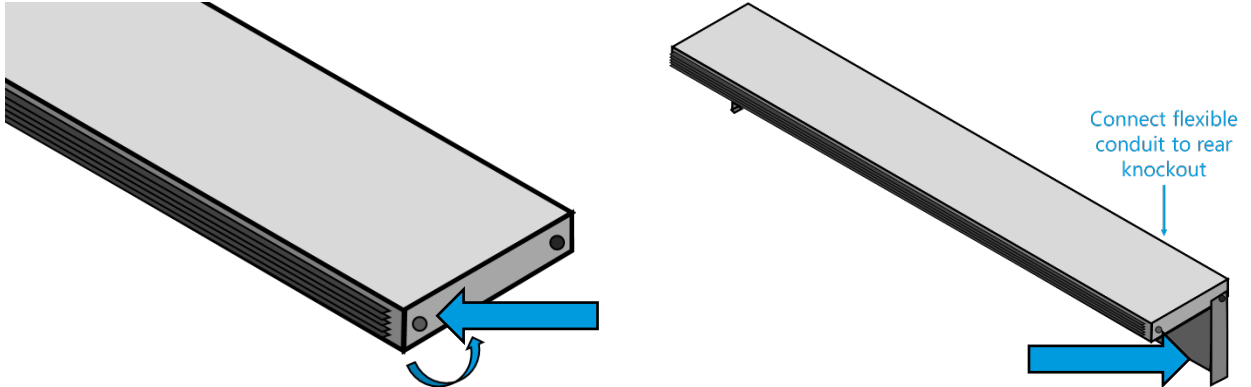
1. Align fixture mounting holes over marked locations on ceiling or wall as outlined above.
2. Use provided mounting screws for mounting to studs or joists.
3. Fixture must be hung level on all 3 axes to ensure no exposure of UVC.



V. CONNECT ELECTRICAL AND INSTALL LAMPS

A. Connect the electrical – *hardwire* option.

1. Skip and move to step V.B for cord-connect option.
2. Remove thumb screw on left and right sides to open fixture.



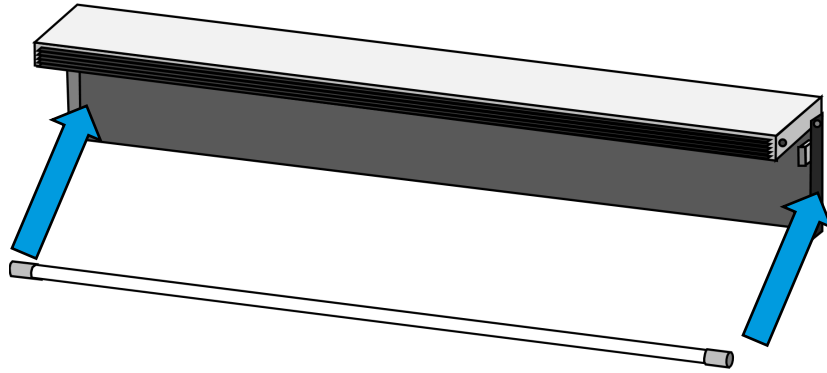
3. Connect flexible conduit to fixture and make wiring connections.
 - a. Use appropriate termination fitting for 1/2" flexible conduit.
 - b. Strip ends of wire 7/16".
 - c. Insert ground wire into green wire port – fixture must be grounded.
 - d. Insert hot wire into port 1 (black) of luminaire disconnect.
 - e. Insert neutral wire into port 2 (white) of luminaire disconnect.

B. Connect the electrical – *cord-connect* option.

1. Plug male end of power cord into outlet below fixture.
2. Outlet should be controlled by on/off wall switch.

C. Install the lamp.

1. Insert pins of lamp into holder on both ends.
2. Rotate lamp 90°.



D. Close the fixture.

1. Return fixture to closed position.
2. Tighten thumb screws on both left and right sides.

VI. OPERATING INSTRUCTIONS

A. Fixture is operated by on/off wall switch.

B. Replacing the lamps.

1. Turn off power.
 - a. Unplug power cord from wall or turn wall switch to off.
 - b. Fixture will remain on until turned off.
 - c. Fixture also has internal safety switch that will turn off lamp if housing is opened by removing thumb screws.
2. Remove lamp.
 - a. Open bottom of fixture via thumb screws.
 - b. Rotate lamp 90° and remove lamp.
 - c. Install new lamp via step 5.C above.

C. Ensure UVC lamp is operational.

1. Always ensure UVC lamp is operational after device has been switched off.
2. UVC lamp will emit a small amount of light in the visible spectrum.
3. To verify the fixture is on:
 - a. Look up towards fixture for soft blue glow.
 - b. Never look directly at lamp while on.

VII. CARE AND CLEANING INSTRUCTIONS

Failure to follow the instructions below will void the warranty.

- A. Always turn off power at circuit breaker prior to servicing.**
- B. Use soft, grit-free, and lint-free cloths to reduce chance of scratching.**
- C. Never spray liquid directly onto fixture.**
 - 1. Instead, apply directly to cloth, then wipe.
 - 2. Ensure everything is thoroughly dry.
- D. Clean and replace lamps at recommended intervals.**
 - 1. Clean every 3 months using alcohol.
 - 2. Replace lamps every year or 9,000 hours of operation.
 - a. Lamp must match specification listed on label in housing.
 - b. See above for installation instructions.
- E. Clean louvers at recommended intervals.**
 - 1. Dust every 3 months.
 - 2. Use dry duster or vacuum.