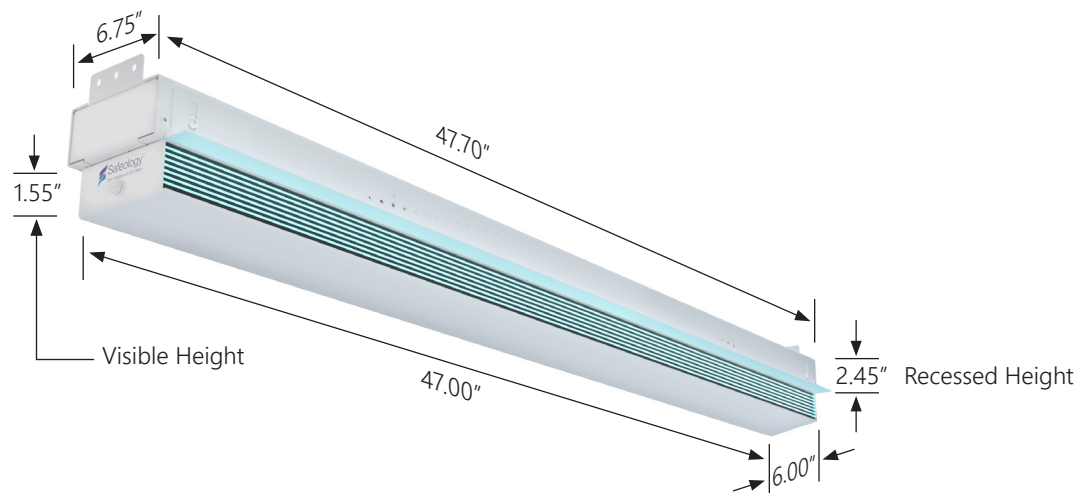


# Upper Room UVC Linear Recessed Fixture

Channeling the power of light to protect the world from coronavirus.

**SERIES R**  
Upper Room UVC Linear Recessed Fixture  
Model SRLR



## PRODUCT DESCRIPTION

The Safeology Upper Room UVC Linear Recessed Fixture offers peace of mind by leveraging the science of light to create clean, pathogen-free spaces. With Safeology, you can safely, quickly and efficiently eliminate up to 99.9% of airborne pathogens<sup>1</sup>, helping you create a clean, worry-free environment.

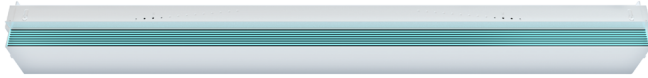
## SPECIFICATION STATEMENT

Solution shall consist of a UVC Upper Room Fixture that uses 253.7 nm UVC light to inactivate pathogens such as SARS-CoV-2 and other viruses, bacteria and spores. Fixture shall include multiple safety features including PIR sensors, auto-off switch for lamp replacement, and optimized beam control to direct UVC distribution to upper room UVC zone. UVC dosage must be based on SARS-CoV-2 genome modeling with computer-aided computation for specific rooms sizes. Fixture must effectively deliver a Log 3 (99.9%) reduction of SARS-CoV-2.

# The most complete Upper Room UVC Linear Recessed Fixture solution available.

## SERIES R

Upper Room UVC Linear Recessed Fixture | Model SRLR



### FIXTURE

- Dimensions (visible): 47.00" w x 6.00" d x 1.55" h
- Dimensions (recessed): 47.70" w x 6.75" d x 2.45" h
- Weight: 15 lbs.
- Silent operation
- Easy lamp replacement
- Made in America with U.S. and global components

### AIRFLOW

- Single unit delivers continual disinfection for an average 400 ft<sup>2</sup> / 3,600 ft<sup>3</sup> space (20' x 20' x 9')
- UVC dosage calculated upon average air flow in a typical room with HVAC

### UVC LAMPING

- 30-watt ultraviolet lamp
- Amalgam 253.7 nm UVC lamp
- Up to 12,000 hours lamp life at 85% UVC intensity

### ELECTRICAL

- 120-277V AC, 50/60Hz, .25/.10 amps
- 30 watts
- Hard-wired

### SAFETY

- Designed for safe operation in rooms with 8' or higher ceilings
- PIR auto-off sensors to protect against accidental UVC exposure
- Auto-off switch for safe lamp replacement
- Louvered design to prevent UVC from entering occupied space
- No ozone emission
- Complies with IEC 62471 Photobiological Safety of Lamps and Lamp Systems

### CERTIFICATIONS

- EPA-registered manufacturing facility
- Conforms to UL Standards
- Patent pending

### SUPPORT

- 3-year warranty
- Field service
- Technical support

### Important Information

The Upper Room Linear Recessed Fixture's effectiveness in the deactivation of certain viruses, bacteria, protozoa, fungi, or other harmful micro-organisms is as described above. Safeology does not warrant or guarantee that the use of the product will protect any user from or prevent infection and/or contamination with any viruses, bacteria, protozoa, fungi, illness, or disease. The units are not approved as medical devices by the FDA. As such, the Upper Room Linear Recessed Fixture is not used to disinfect medical devices. Safeology shall not be liable for any claim or damage that may arise from or relate to any use of this product outside its intended use or contrary to operation instructions, user manuals or mounting instructions.

### Safety Warning

**DANGER:** UVC lamps must be installed and used in the correct manner. Direct exposure to UVC can be dangerous and result in serious damage to the skin and corneas (eyes). UVC lamps must be installed in the Upper Room Linear Recessed Fixture in strict accordance with the requirements stated in the user manual or instructions. Safety switches should never be disabled. Unit should not be operated with the top off or with the filters removed. The Upper Room Linear Recessed Fixture must only be sold and installed by professionals.

<sup>1</sup> The term pathogens, as used in Safeology literature, refers to the broader category of disease-producing germs, including viruses, bacteria and spores. While UVC light has been proven effective in inactivating or eliminating various pathogens, the dosage of UVC exposure (UVC intensity over time) required to do so may vary by pathogen type. Pathogens, in general, require different levels of exposure for disinfection. Some can be inactivated relatively quickly, while others require longer exposure to UVC.