

EPA Est. 96318-WA-1

CONGRATULATIONS

You've purchased a Series R UVC Upper Room Linear Recessed Fixture that will help sanitize the air in your facility

Please read these instructions thoroughly before operating the unit. If you have any questions, please contact our Customer Experience team at 425.595.6330, or support@safeology.com

APPLICATION

These installation instructions apply only to Ultraviolet – C (UVC) linear recessed fixtures manufactured by Electric Mirror. Referred to as 'the fixture' throughout this operation manual.

TABLE OF CONTENTS

1. INSTALLATION SAFETY	2
2. UNPACK YOUR UVC MOBILE PURIFIER	5
3. INSTALLATION NOTES	5
4. PREPARE THE ELECTRICAL	5
5. INSTALL THE FIXTURE	6
6. INSTALL LAMPS	10
7. OPERATING INSTRUCTIONS	12
8. CARE AND CLEANING INSTRUCTIONS	12

1. INSTALLATION SAFETY



A. To be installed by qualified electrician

- I Follow national electric code during installation
- II WARNING: Risk of electrical shock
- III Fixture must be grounded
- IV Turn of power at breaker before installation or servicing
- V Must not be mounted per manufacturer's stated guidelines – see section 5A

B. Read and follow instructions.

- I Install and operate the fixture according to these instructions and keep a copy for future use.
- II Failure to follow these instructions voids the warranty.
- III Do not use this product for other than it's intended use.

C. Follow safety precautions.

- I Follow safety precautions. To prevent injury, the fixture must be operated according to these instructions. Failure to do so could result in serious injury or death.
- II This unit uses UVC lighting. Do not look at the lamps while operating
- III Turn off all power before servicing

D. Mercury lamp disposal and clean up

- I If a lamp breaks, please follow instructions found here:
<https://www.epa.gov/cfl/cleaning-broken-cfl>
- II See the following website for disposal information:
- III <https://www.epa.gov/cfl/recycling-and-disposal-cfls-and-other-bulbs-contain-mercury#whererecycle>



CAUTION UVC RADIATION HAZARD

IMPORTANT SAFETY INSTRUCTIONS

- **READ AND FOLLOW ALL SAFETY INSTRUCTIONS**
- FOLLOW NATIONAL ELECTRIC CODE DURING INSTALLATION
- INSTALLATION BY QUALIFIED PERSONNEL ONLY
- WARNING: RISK OF ELECTRICAL SHOCK
- FIXTURE MUST BE GROUNDED
- TURN OFF POWER AT BREAKER BEFORE INSTALLATION OR SERVICING
- **SAVE THESE INSTRUCTIONS**

IMPORTANT SAFEGUARDS

When using electrical equipment, basic safety precautions should always be followed including the following:

READ AND FOLLOW ALL SAFETY INSTRUCTIONS

- a) This equipment is designed for use with germicidal UV radiation sources and must be installed in compliance with competent technical directions to prevent risk of personal injury from UV radiation.
- b) UV radiation can pose a risk of personal injury. Overexposure can result in damage to eyes and bare skin. To reduce the risk of overexposure this equipment must be installed in accordance with the manufacturer's site planning recommendations. This may include instructions on the relative location of each germicidal system component, the minimum distances between UV-generating devices and other objects or surfaces, and protection from line-of-sight exposure to UV radiation in occupied spaces located above the equipment mounting area (e.g. upper floor balconies, open staircases, etc.
- c) UV and optical radiation can be reflected by surrounding surfaces such as ceilings and walls. Since the reflective properties of surfaces can vary widely, it should be considered as part of site planning. Follow the manufacturer's recommendations for selecting appropriate ceiling and wall finishes.
- d) **IT IS THE RESPONSIBILITY OF THE INSTALLER TO ENSURE THAT PERSONS WILL NOT BE EXPOSED TO EXCESSIVE UV OR OPTICAL RADIATION DURING EQUIPMENT OPERATION. THIS WILL REQUIRE THE INSTALLER TO CONDUCT AN ASSESSMENT OF IRRADIANCE LEVELS IN THE SURROUNDING OCCUPIED SPACES PRIOR TO OCCUPANCY.**
- e) Equipment should be mounted in locations and at heights where it will not readily be subjected to tampering by unauthorized personnel.
- f) Maintenance and servicing of this UV generating equipment shall be performed by authorized personnel. Service personnel must wear appropriate Personal Protective Equipment (PPE) if the equipment will be in separation during the maintenance or servicing work. Contact the equipment manufacturer for PPE recommendations and guidance.
- g) When replacing lamps, replace them only with the lamps for which the equipment is marked and intended.
- h) The use of accessory equipment not recommended by the manufacturer may cause an unsafe condition.
- i) Do not use this equipment for other than intended use.

SAVE THESE INSTRUCTIONS

UVC radiation can cause severe eye and skin damage. Never look directly at lamp while on. Always turn product off before lamp replacement. Fixture must be installed and operated in strict accordance with these instructions. Fixture must not be mounted below manufacturer's recommended height, measured from finished floor to bottom of fixture. Ensure placement does not allow direct sight from stairwells, loft's, or other elevated occupied spaces.



ATTENTION RISQUE DE RAYONNEMENT UVC

CONSIGNES DE SÉCURITÉ IMPORTANTES

• LISEZ ET SUIVEZ TOUTES LES CONSIGNES DE SÉCURITÉ

- SUIVEZ LE CODE ÉLECTRIQUE NATIONAL PENDANT L'INSTALLATION
- INSTALLATION PAR UN PERSONNEL QUALIFIÉ UNIQUEMENT
- AVERTISSEMENT: RISQUE DE CHOC ÉLECTRIQUE
- L'APPAREIL DOIT ÊTRE MIS À LA TERRE
- COUPEZ L'ALIMENTATION AU DISJONCTEUR AVANT L'INSTALLATION OU L'ENTRETIEN

• CONSERVEZ CES INSTRUCTIONS

- AVERTISSEMENT: NE CONVIENT PAS À UNE UTILISATION AVEC DES CONTRÔLES DE VITESSE À ÉTAT SOLIDE

GARANTIES IMPORTANTES

Lors de l'utilisation d'équipements électriques, des précautions de sécurité de base doivent toujours être suivies, notamment les suivantes:

LISEZ ET SUIVEZ TOUTES LES CONSIGNES DE SÉCURITÉ

- a) Cet équipement est conçu pour être utilisé avec des sources de rayonnement UV germicides et doit être installé conformément aux instructions techniques compétentes pour éviter tout risque de blessure par les rayons UV.
- b) Le rayonnement UV peut présenter un risque de blessure corporelle. Une surexposition peut endommager les yeux et la peau nue. Pour réduire le risque de surexposition, cet équipement doit être installé conformément aux recommandations de planification du site du fabricant. Cela peut inclure des instructions sur l'emplacement relatif de chaque composant du système germicide, les distances minimales entre les dispositifs générateurs d'UV et d'autres objets ou surfaces, et la protection contre l'exposition en visibilité directe aux rayons UV dans les espaces occupés situés au-dessus de la zone de montage de l'équipement (par exemple, balcons à l'étage supérieur, escaliers ouverts, etc.
- c) Les rayons UV et optiques peuvent être réfléchis par les surfaces environnantes telles que les plafonds et les murs. Étant donné que les propriétés réfléchissantes des surfaces peuvent varier considérablement, elles doivent être prises en compte dans le cadre de la planification du site. Suivez les recommandations du fabricant pour sélectionner les finitions de plafond et de mur appropriées.
- d) IL EST DE LA RESPONSABILITÉ DE L'INSTALLATEUR DE S'ASSURER QUE LES PERSONNES NE SERONT PAS EXPOSÉES À DES RADIATIONS UV OU OPTIQUES EXCESSIVES PENDANT LE FONCTIONNEMENT DE L'ÉQUIPEMENT. CELA EXIGERA L'INSTALLATEUR DE PROCÉDER À UNE ÉVALUATION DES NIVEAUX D'IRRADIANCE DANS LES ESPACES OCCUPÉS ENVIRONNANTS AVANT L'OCCUPATION.
- e) L'équipement doit être installé dans des endroits et à des hauteurs où il ne sera pas facilement soumis à une altération par du personnel non autorisé.
- f) La maintenance et l'entretien de cet équipement générant des UV doivent être effectués par du personnel autorisé. Le personnel d'entretien doit porter un équipement de protection individuelle (EPI) approprié si l'équipement doit être séparé pendant les travaux d'entretien ou de réparation. Contactez le fabricant de l'équipement pour obtenir des recommandations et des conseils sur l'EPI.
- g) Lors du remplacement des lampes, remplacez-les uniquement par les lampes pour lesquelles l'équipement est marqué et conçu.
- h) L'utilisation d'équipements accessoires non recommandés par le fabricant peut entraîner une situation dangereuse.
- i) N'utilisez pas cet équipement à d'autres fins que celles pour lesquelles il a été conçu.

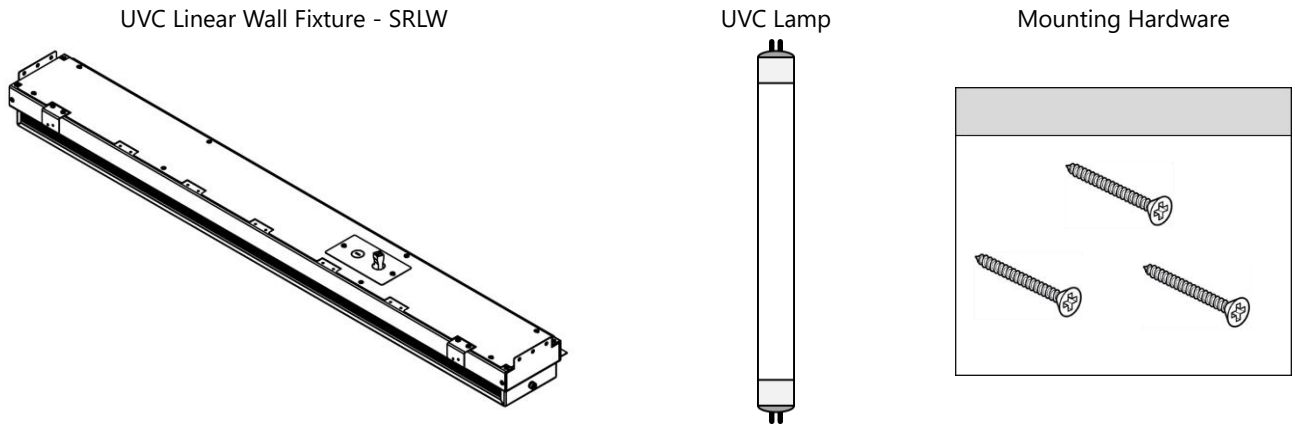
CONSERVEZ CES INSTRUCTIONS

Le rayonnement UVC peut provoquer de graves lésions oculaires et cutanées. Ne regardez jamais directement la lampe lorsqu'elle est allumée. Éteignez toujours le produit avant de remplacer la lampe. L'appareil doit être installé et utilisé en stricte conformité avec ces instructions. Appareil fonctionnant selon les directives du fabricant.

2. UNPACK YOUR UVC MOBILE PURIFIER

A. Verify the contents.

Unpack the box, identify and verify all contents prior to installation. In general, your tower will include the following:



Note: Ceiling security cable not included

3. INSTALLATION NOTES

A. Ceiling height locations – See section 5A below

B. Wall treatment selection may alter UVC reflection – avoid applications with high reflectivity such as polished metal or UV reflective paint.

C. T-Grid ceiling requirements

- I For use with T-Grid ceilings manufactured and installed in accordance with ASTM C635 & ASTM C636.
- II The unit is compatible with either 9/16" or 15/16" face profiles, with a height no larger than 1 11/16".

4. PREPARE THE ELECTRICAL

A. Ensure all power is off to the area by turning off the breaker

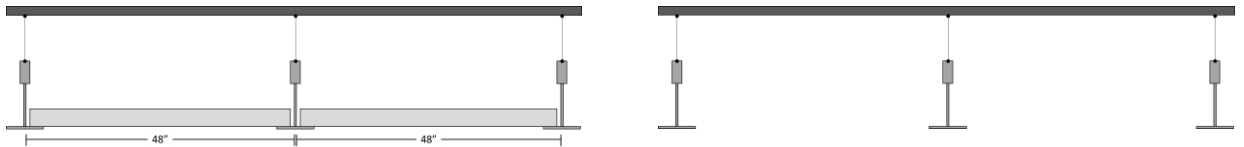
B. Run wiring through 1/2" flexible conduit to knockout location on top of unit

C. Fixture should be controlled by wall switch

5. INSTALL THE FIXTURE

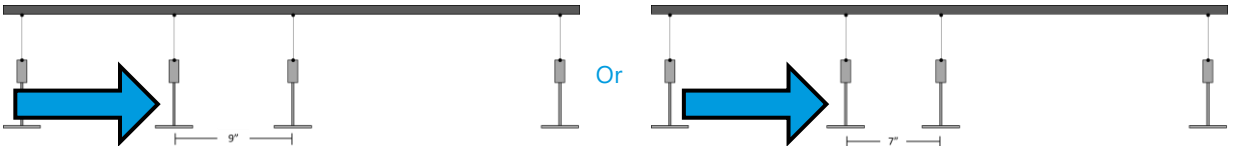
A. Determine the location of the fixture

- I Ceiling height locations
 - a. SRLR-48X8 must be installed a minimum of 8'4" above the floor, as measured from bottom of ceiling grid to the finished floor
 - i. For heights between 8'4" and 9'6", fixture must be no more than 40' from a parallel wall
 - ii. A minimum of a 10' separation is required between fixtures facing each other
 - iii. A minimum of 7' separation is required between fixtures in-line with each other
 - b. SRLR-48X6 must be installed a minimum of 9'6" above the floor as measured from bottom of ceiling grid to the finished floor
 - i. A minimum of a 10' separation is required between fixtures facing each other
 - ii. A minimum of 4' separation is required between fixtures in-line with each other
- II Once desired location is identified
 - a. Remove ceiling tile
 - b. Remove adjacent tile for access to T-Grid mounting brackets



B. If desired, add in additional T in the grid to support the ceiling tile

- I Skip to 5D if additional T's are not being installed
- II Install an additional T into the grid system. The T should be installed center to center at the following distances
 - a. SRLR-48X8 – install 9" from originating T
 - b. SRLR-48X6 – install 7" from originating T

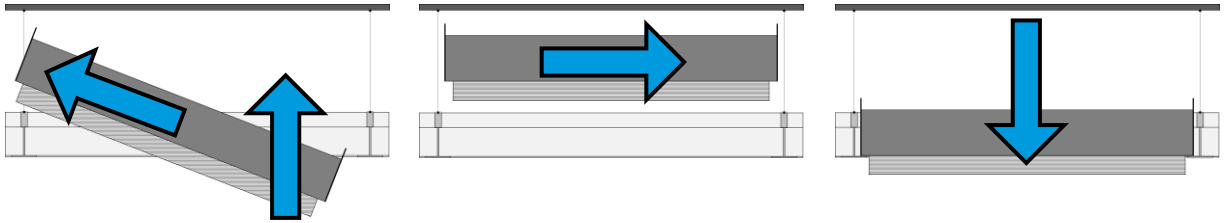


- III The bracket on the side of the fixture can be adjusted to ensure the fixture hangs level in the grid
 - a. These can be adjusted in 1/16" increments
 - b. Unit generally to be installed out of the box with the bracket installed at the position marked with a "*"
 - c. When using an additional T in the grid, move the bracket to the position marked 'T'
 - d. The unmarked holes are used when tiles extend below the T-Grid level

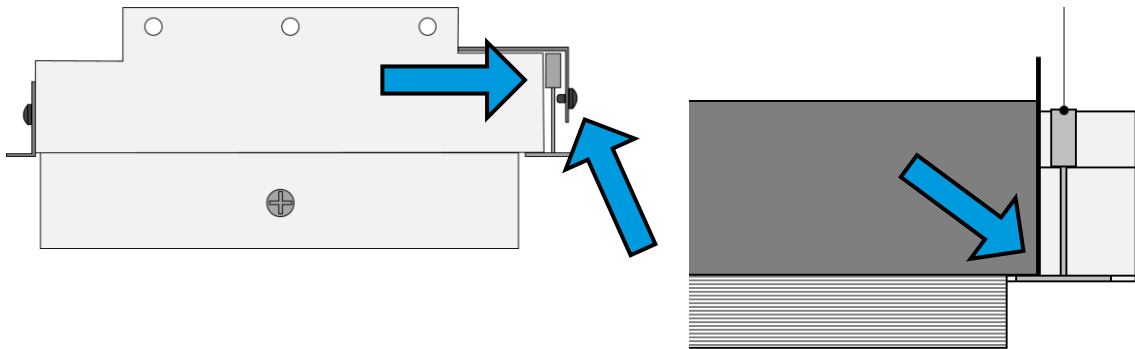


C. Hang the fixture

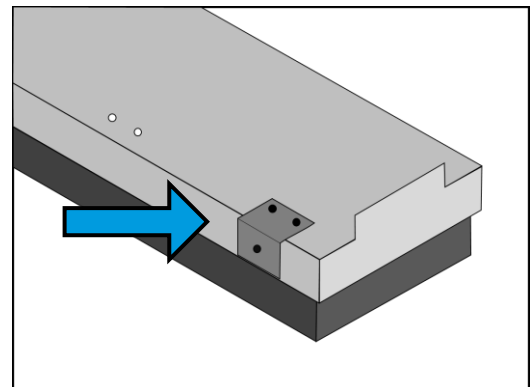
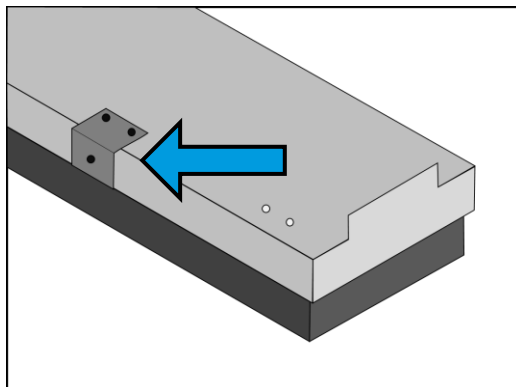
- I Maneuver the unit into the ceiling by lifting first one end in, then lifting in the other end before dropping the unit into place. The fixture should be supported by T-Grid on 3 sides



- II Use the adjustable screw to secure the fixture to the T-Grid

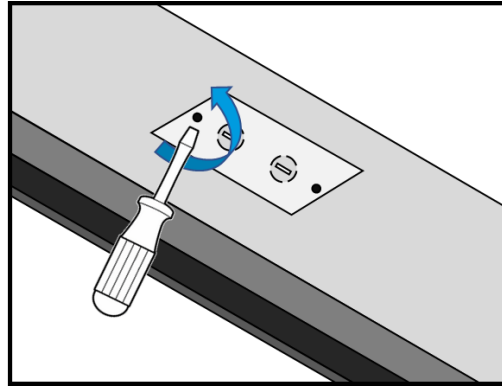


- III Secure fixture to ceiling with hanger wire. Holes are provided in the top of the fixture at the short ends. Hardware not included.
- IV If necessary, the brackets on the fixture can be moved to avoid interference or obstacles



D. Connect the Electrical

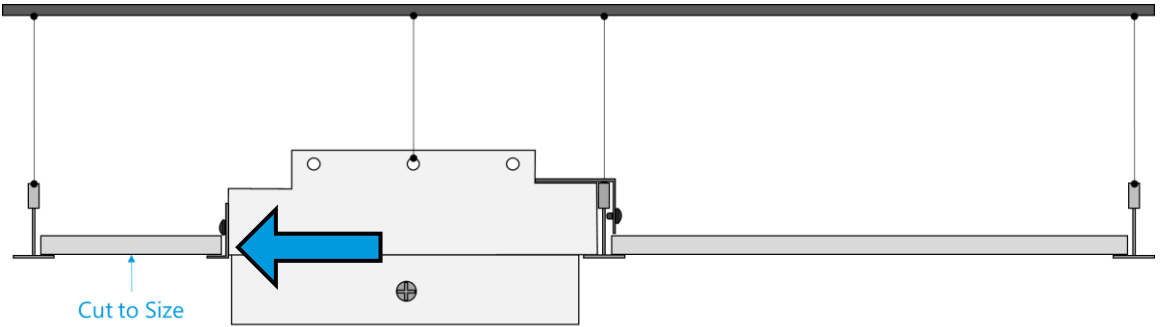
- I Remove two screws from the electrical cover on the top of the fixture



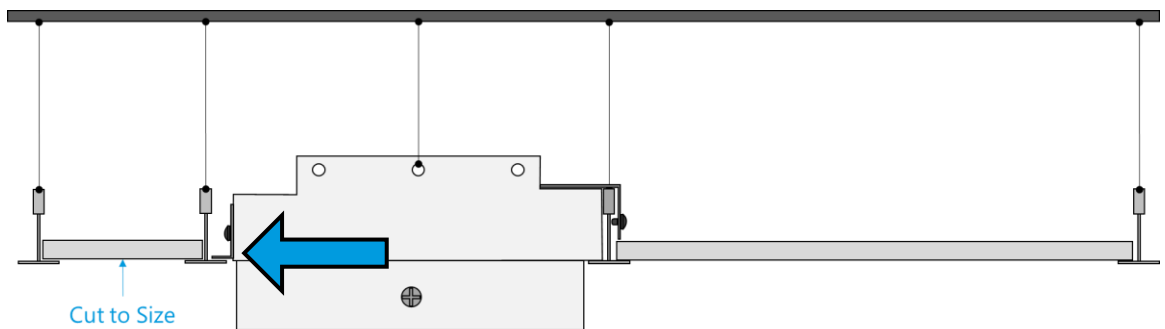
- II Connect flexible conduit to fixture and make wiring connections
 - a. Use appropriate termination fitting for 1/2" flexible conduit
 - b. Strip ends of wire 7/16"
 - c. Insert ground wire into green wire port – FIXTURE MUST BE GROUNDED
 - d. Insert hot wire into port 1 (black) of luminaire disconnect
 - e. Insert neutral wire into port 2 (white) of luminaire disconnect
- III Secure the electrical cover by reinserting both screws

E. Re-install the ceiling tile

- I Measure opening and cut appropriately sized tile to fill remaining space and install
- II The tile will be supported by either
 - a. The bracket on the side of the fixture or



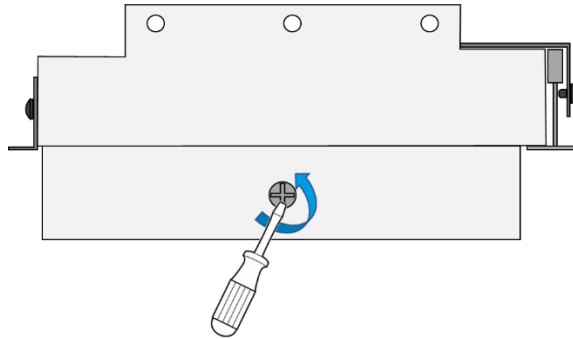
- b. The additional T installed in the grid



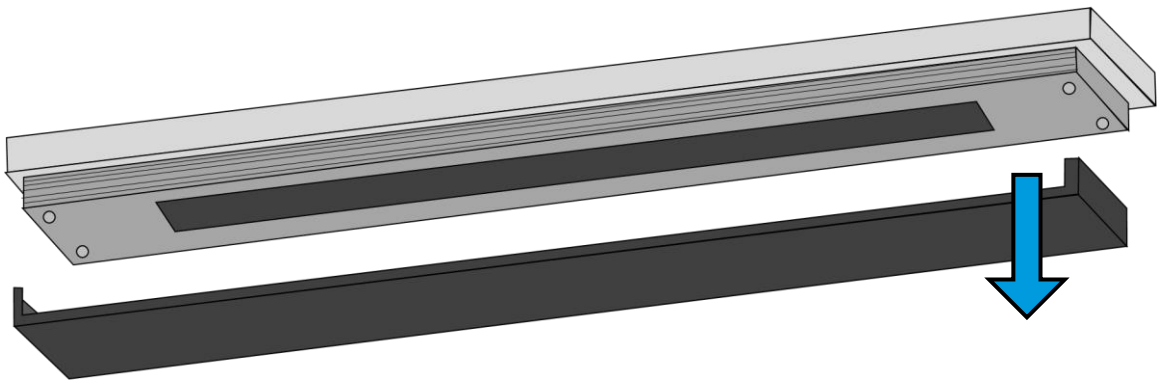
6. INSTALL LAMPS

A. Remove the cover

- I Loosen screws at both short ends of the fixture and set aside

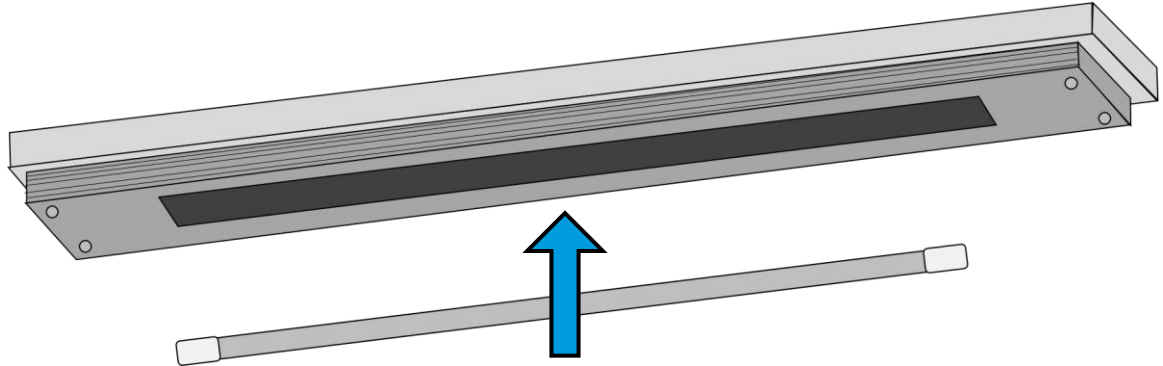


- II The cover is supported by magnets to the main fixture. Remove and set aside



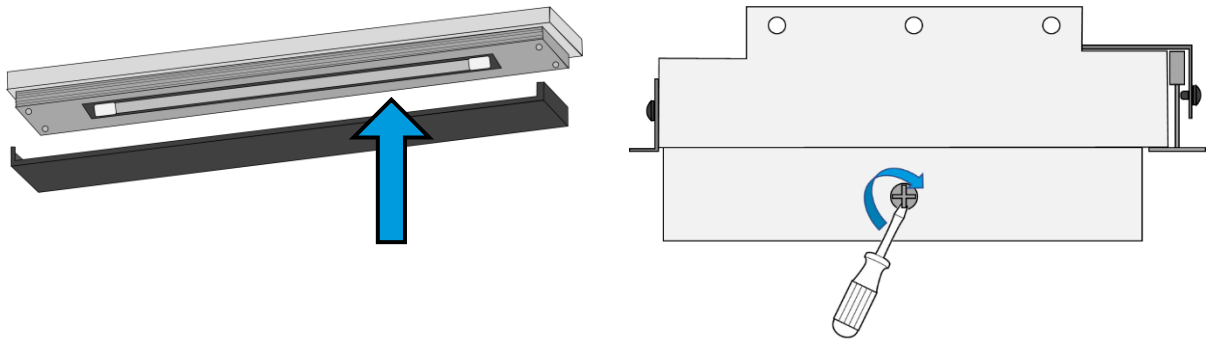
B. Install the lamp

- I On the underside of the fixture, insert pins of the lamp into the holder on both ends, rotating the lamp 90° to secure



C. Close the fixture

- I Replace the lamp cover
- II Replace the screws on the short end of the fixture



7. OPERATING INSTRUCTIONS

A. Fixture is operated by on/off wall switch

B. Replacing the lamps

- I Turn off the power
 - a) Turn the master power switch to off
 - b) Fixture will remain on until turned off
 - c) Fixture also has an internal safety switch that will turn off lamp if lamp cover is removed
- II Remove lamp
 - a) Open fixture as described in 6A
 - b) Rotate lamp 90° and remove
 - c) Install new lamp via step 6B-C above.

C. Ensure UVC lamp is operational

- I Always ensure UV lamp is operational after device has been switched off
- II UV lamp will emit a small amount of light in the visible spectrum
- III To verify the fixture is on
 - a) Look up towards fixture for soft blue glow
 - b) Never look directly at lamp while on

8. CARE AND CLEANING INSTRUCTIONS

Failure to follow the below will void the warranty

A. Always turn off power at circuit breaker prior to servicing

B. Use soft, grit-free and lint-free cloths to reduce the chance of scratching

C. Never spray water or cleaner directly onto the unit

- I Instead, apply it directly to the cloth, then wipe
- II Ensure everything is thoroughly dry

D. Lamps

- I Should be cleaned every 3 months using alcohol not water
- II Replace lamps every year or 12,000 hours of operation.
 - a) Lamp must match specification listed on label in housing
 - b) See above for installation instructions

E. Louvers

- I Should be dusted every 3 months
- II Wipe with duster or vacuum