

EPA Est. 96318-WA-1

CONGRATULATIONS

You've purchased a Series R UVC Upper Room Linear Wall Fixture that will help sanitize the air in your facility

Please read these instructions thoroughly before operating the unit. If you have any questions, please contact our Customer Experience team at 425.595.6330, or support@safeology.com

APPLICATION

These installation instructions apply only to Ultraviolet – C (UVC) linear wall fixtures manufactured by Electric Mirror. Referred to as 'the fixture' throughout this operation manual.

TABLE OF CONTENTS

1. INSTALLATION SAFETY	2
2. UNPACK YOUR UVC MOBILE PURIFIER	5
3. PREPARE THE ELECTRICAL	5
4. INSTALL THE FIXTURE	5
5. CONNECT ELECTRICAL AND INSTALL THE LAMPS	7
6. OPERATING INSTRUCTIONS	8
7. CARE AND CLEANING INSTRUCTIONS.....	9

1. INSTALLATION SAFETY



A. To be installed by qualified electrician

- I Follow national electric code during installation
- II **WARNING:** Risk of electrical shock
- III Fixture must be grounded
- IV Turn of power at breaker before installation or servicing
- V Fixture must not be mounted below 8'2" from finished floor (measured from bottom of ceiling grid).

B. Read and follow instructions.

- I Install and operate the fixture according to these instructions and keep a copy for future use.
- II Failure to follow these instructions voids the warranty.
- III Do not use this product for other than it's intended use.

C. Follow safety precautions.

- I Follow safety precautions. To prevent injury, the fixture must be operated according to these instructions. Failure to do so could result in serious injury or death.
- II This unit uses UVC lighting. Do not look at the lamps while operating
- III Turn off all power before servicing

D. Mercury lamp disposal and clean up

- I If a lamp breaks, please follow instructions found here:
<https://www.epa.gov/cfl/cleaning-broken-cfl>
- II See the following website for disposal information:
<https://www.epa.gov/cfl/recycling-and-disposal-cfls-and-other-bulbs-contain-mercury#whererecycle>



CAUTION UVC RADIATION HAZARD

IMPORTANT SAFETY INSTRUCTIONS

- **READ AND FOLLOW ALL SAFETY INSTRUCTIONS**
- FOLLOW NATIONAL ELECTRIC CODE DURING INSTALLATION
- INSTALLATION BY QUALIFIED PERSONNEL ONLY
- WARNING: RISK OF ELECTRICAL SHOCK
- FIXTURE MUST BE GROUNDED
- TURN OFF POWER AT BREAKER BEFORE INSTALLATION OR SERVICING
- **SAVE THESE INSTRUCTIONS**

IMPORTANT SAFEGUARDS

When using electrical equipment, basic safety precautions should always be followed including the following:

READ AND FOLLOW ALL SAFETY INSTRUCTIONS

- a) This equipment is designed for use with germicidal UV radiation sources and must be installed in compliance with competent technical directions to prevent risk of personal injury from UV radiation.
- b) UV radiation can pose a risk of personal injury. Overexposure can result in damage to eyes and bare skin. To reduce the risk of overexposure this equipment must be installed in accordance with the manufacturer's site planning recommendations. This may include instructions on the relative location of each germicidal system component, the minimum distances between UV-generating devices and other objects or surfaces, and protection from line-of-sight exposure to UV radiation in occupied spaces located above the equipment mounting area (e.g. upper floor balconies, open staircases, etc).
- c) UV and optical radiation can be reflected by surrounding surfaces such as ceilings and walls. Since the reflective properties of surfaces can vary widely, it should be considered as part of site planning. Follow the manufacturer's recommendations for selecting appropriate ceiling and wall finishes.
- d) **IT IS THE RESPONSIBILITY OF THE INSTALLER TO ENSURE THAT PERSONS WILL NOT BE EXPOSED TO EXCESSIVE UV OR OPTICAL RADIATION DURING EQUIPMENT OPERATION. THIS WILL REQUIRE THE INSTALLER TO CONDUCT AN ASSESSMENT OF IRRADIANCE LEVELS IN THE SURROUNDING OCCUPIED SPACES PRIOR TO OCCUPANCY.**
- e) Equipment should be mounted in locations and at heights where it will not readily be subjected to tampering by unauthorized personnel.
- f) Maintenance and servicing of this UV generating equipment shall be performed by authorized personnel. Service personnel must wear appropriate Personal Protective Equipment (PPE) if the equipment will be in separation during the maintenance or servicing work. Contact the equipment manufacturer for PPE recommendations and guidance.
- g) When replacing lamps, replace them only with the lamps for which the equipment is marked and intended.
- h) The use of accessory equipment not recommended by the manufacturer may cause an unsafe condition.
- i) Do not use this equipment for other than intended use.

SAVE THESE INSTRUCTIONS

UVC radiation can cause severe eye and skin damage. Never look directly at lamp while on. Always turn product off before lamp replacement. Fixture must be installed and operated in strict accordance with these instructions. Fixture must not be mounted below 8'2" from finished floor (measured from bottom of fixture.) Ensure placement does not allow direct sight from stairwells, loft's, or other elevated occupied spaces.



ATTENTION RISQUE DE RAYONNEMENT UVC

CONSIGNES DE SÉCURITÉ IMPORTANTES

• LISEZ ET SUIVEZ TOUTES LES CONSIGNES DE SÉCURITÉ

- SUIVEZ LE CODE ÉLECTRIQUE NATIONAL PENDANT L'INSTALLATION
- INSTALLATION PAR UN PERSONNEL QUALIFIÉ UNIQUEMENT
- AVERTISSEMENT: RISQUE DE CHOC ÉLECTRIQUE
- L'APPAREIL DOIT ÊTRE MIS À LA TERRE
- COUPEZ L'ALIMENTATION AU DISJONCTEUR AVANT L'INSTALLATION OU L'ENTRETIEN

• CONSERVEZ CES INSTRUCTIONS

- AVERTISSEMENT: NE CONVIENT PAS À UNE UTILISATION AVEC DES CONTRÔLES DE VITESSE À ÉTAT SOLIDE

GARANTIES IMPORTANTES

Lors de l'utilisation d'équipements électriques, des précautions de sécurité de base doivent toujours être suivies, notamment les suivantes:

LISEZ ET SUIVEZ TOUTES LES CONSIGNES DE SÉCURITÉ

- a) Cet équipement est conçu pour être utilisé avec des sources de rayonnement UV germicides et doit être installé conformément aux instructions techniques compétentes pour éviter tout risque de blessure par les rayons UV.
- b) Le rayonnement UV peut présenter un risque de blessure corporelle. Une surexposition peut endommager les yeux et la peau nue. Pour réduire le risque de surexposition, cet équipement doit être installé conformément aux recommandations de planification du site du fabricant. Cela peut inclure des instructions sur l'emplacement relatif de chaque composant du système germicide, les distances minimales entre les dispositifs générateurs d'UV et d'autres objets ou surfaces, et la protection contre l'exposition en visibilité directe aux rayons UV dans les espaces occupés situés au-dessus de la zone de montage de l'équipement (par exemple, balcons à l'étage supérieur, escaliers ouverts, etc.
- c) Les rayons UV et optiques peuvent être réfléchis par les surfaces environnantes telles que les plafonds et les murs. Étant donné que les propriétés réfléchissantes des surfaces peuvent varier considérablement, elles doivent être prises en compte dans le cadre de la planification du site. Suivez les recommandations du fabricant pour sélectionner les finitions de plafond et de mur appropriées.
- d) IL EST DE LA RESPONSABILITÉ DE L'INSTALLATEUR DE S'ASSURER QUE LES PERSONNES NE SERONT PAS EXPOSÉES À DES RADIATIONS UV OU OPTIQUES EXCESSIVES PENDANT LE FONCTIONNEMENT DE L'ÉQUIPEMENT. CELA EXIGERA L'INSTALLATEUR DE PROCÉDER À UNE ÉVALUATION DES NIVEAUX D'IRRADIANCE DANS LES ESPACES OCCUPÉS ENVIRONNANTS AVANT L'OCCUPATION.
- e) L'équipement doit être installé dans des endroits et à des hauteurs où il ne sera pas facilement soumis à une altération par du personnel non autorisé.
- f) La maintenance et l'entretien de cet équipement générant des UV doivent être effectués par du personnel autorisé. Le personnel d'entretien doit porter un équipement de protection individuelle (EPI) approprié si l'équipement doit être séparé pendant les travaux d'entretien ou de réparation. Contactez le fabricant de l'équipement pour obtenir des recommandations et des conseils sur l'EPI.
- g) Lors du remplacement des lampes, remplacez-les uniquement par les lampes pour lesquelles l'équipement est marqué et conçu.
- h) L'utilisation d'équipements accessoires non recommandés par le fabricant peut entraîner une situation dangereuse.
- i) N'utilisez pas cet équipement à d'autres fins que celles pour lesquelles il a été conçu.

CONSERVEZ CES INSTRUCTIONS

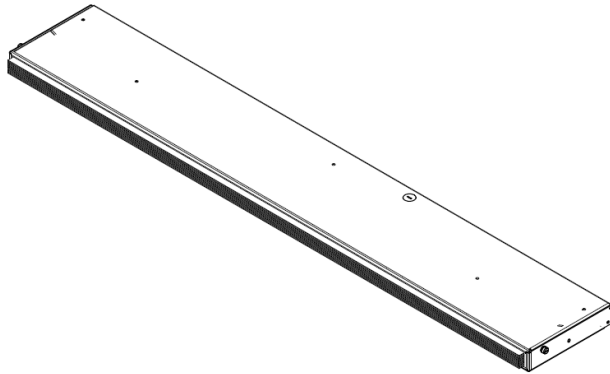
Le rayonnement UVC peut provoquer de graves lésions oculaires et cutanées. Ne regardez jamais directement la lampe lorsqu'elle est allumée. Éteignez toujours le produit avant de remplacer la lampe. L'appareil doit être installé et utilisé en stricte conformité avec ces instructions. Appareil fonctionnant selon les directives du fabricant.

2. UNPACK YOUR UVC MOBILE PURIFIER

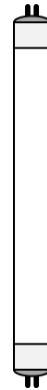
A. Verify the contents.

Unpack the box, identify and verify all contents prior to installation. In general, your tower will include the following:

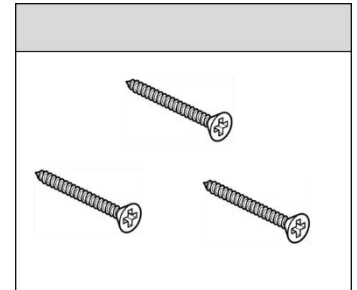
UVC Linear Wall Fixture - SRLW



UVC Lamp



Mounting Hardware



3. PREPARE THE ELECTRICAL

- A. **Ensure all power is off to the area by turning off the breaker**
- B. **Fixture should be controlled by on/off switch on the wall**
- C. **Run wiring through 1/2" flexible conduit to knockout location specified below.**
 - I For cord connected fixtures, mount fixture above existing outlet.

4. INSTALL THE FIXTURE

A. Determine the location of the fixture

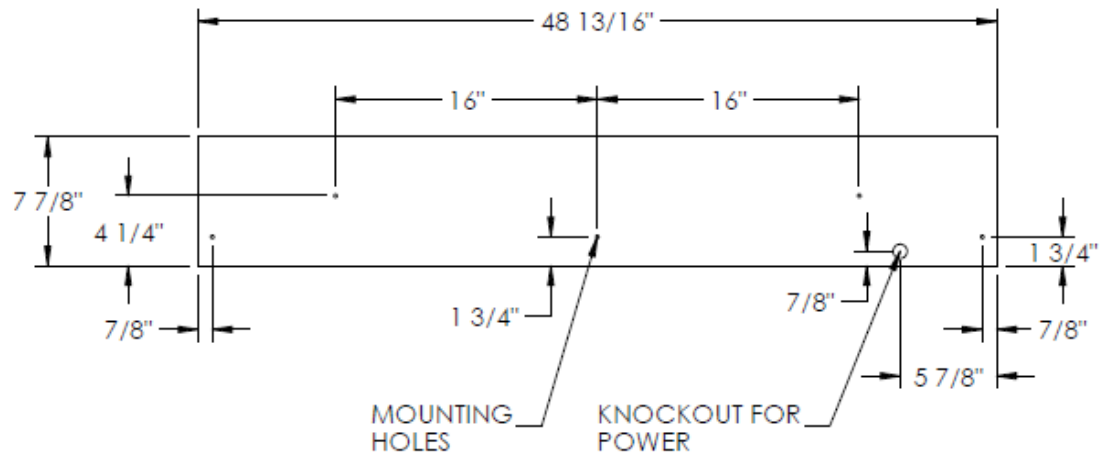
- I Fixture can be mounted to wall or ceiling
- II Must be installed 8'4" or higher from the finished floor
- III Room size requirements
 - a) Maximum room size of 40' in direction fixture is facing.
 - b) If fixtures installed on opposite walls, a minimum of a 10' separation is required
 - c) If more than one fixture is installed on same wall, a minimum of 4 separation required.

B. Mounting

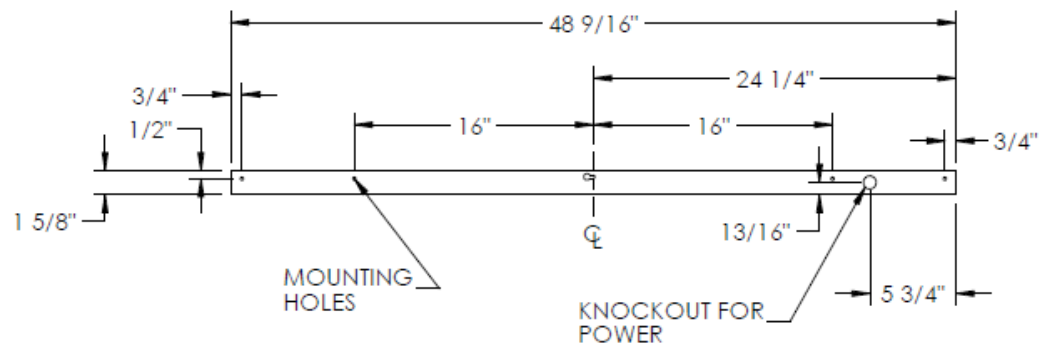
- I Locate center mounting hole on center of wall stud or ceiling joist
- II Use 3 mounting holes 16" on centers
- III Mounting hardware included

C. Mark mounting hole locations on wall or ceiling

- I For ceiling mounted fixtures



- II For wall mount fixtures



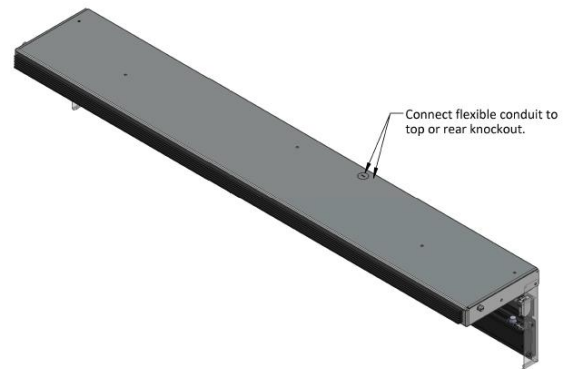
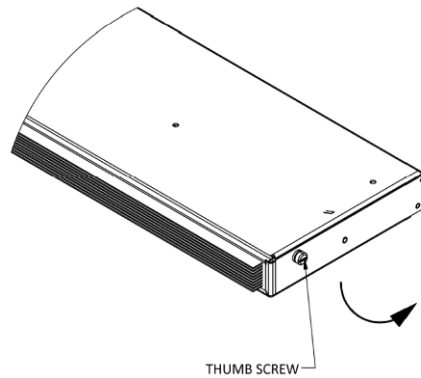
D. Mount the fixture

- I Align fixture mounting holes over the marked locations on ceiling or wall as outlined above.
- II Use the provided mounting screws for mounting to studs or joists.

5. CONNECT ELECTRICAL AND INSTALL THE LAMPS

A. Connect the Electrical - Hardwire

- I Skip and move to step 5B for cord connected option
- II Remove the thumb screw on the left and right sides to open fixture.



- III Connect flexible conduit to fixture and make wiring connections
 - a) Use appropriate termination fitting for 1/2" flexible conduit
 - b) Strip ends of wire 7/16"
 - c) Insert ground wire into green wire port – FIXTURE MUST BE GROUNDED
 - d) Insert hot wire into port 1 (black) of luminaire disconnect
 - e) Insert neutral wire into port 2 (white) of disconnect

B. Connect the Electrical - Cord Connect

- I Plug male end of power cord into outlet below fixture
- II Outlet should be controlled by on/off wall switch

C. Install the lamp

- I Insert pins of the lamp into the holder on both ends
- II Rotate the lamp 90°



D. Close the fixture

- I Return fixture to closed position
- II Tighten thumb screws on both the left and right sides

6. OPERATING INSTRUCTIONS

A. Fixture is operated by on/off wall switch

B. Replacing the lamps

- I Turn off the power
 - a) Unplug the power cord from the wall or turn the wall switch to off
 - b) Fixture will remain on until turned off
 - c) Fixture also has an internal safety switch that will turn off lamp if housing is opened by removing the thumb screws
- II Remove lamp
 - a) Open bottom of fixture via thumb screws
 - b) Rotate lamp 90° and remove lamp
 - c) Install new lamp via step 5C above.

C. Ensure UVC lamp is operational

- I Always ensure UV lamp is operational after device has been switched off
- II UV lamp will emit a small amount of light in the visible spectrum
- III To verify the fixture is on
 - a) Look up towards fixture for soft blue glow
 - b) Never look directly at lamp while on

7. CARE AND CLEANING INSTRUCTIONS

Failure to follow the below will void the warranty

- A. Always turn off power at circuit breaker prior to servicing**
- B. Use soft, grit-free and lint-free cloths to reduce the chance of scratching**
- C. Never spray water or cleaner directly onto the unit**
 - I Instead, apply it directly to the cloth, then wipe
 - II Ensure everything is thoroughly dry
- D. Lamps**
 - I Should be cleaned every 3 months
 - a) Apply alcohol to a rag and wipe down the lamp
 - b) Do not use water
 - II Replace lamps every year or 12,000 hours of operation.
 - a) Lamp must match specification listed on label in housing
 - b) See above for installation instructions
- E. Louvers**
 - I Should be dusted every 3 months
 - II Wipe with duster or vacuum