

EPA Est. 96318-WA-1

CONGRATULATIONS

You've purchased a series M UVC Mobile Purifier that will help sanitize the air in your facility

Please read these instructions thoroughly before operating the unit. If you have any questions, please contact our Customer Experience team at 425.595.6330, or support@safeology.com

APPLICATION

These installation instructions apply only to Ultraviolet – C (UVC) mobile purifiers manufactured by Electric Mirror. Referred to as 'the purifier' throughout this operation manual.

TABLE OF CONTENTS

1. REVIEW IMPORTANT SAFETY INSTRUCTIONS	2
2. UNPACK YOUR UVC MOBILE PURIFIER	5
3. INSTALL THE LAMPS AND CONNECT TO POWER	6
4. CHANGING THE FILTERS	8
5. CARE AND CLEANING INSTRUCTIONS	12

1. REVIEW IMPORTANT SAFETY INSTRUCTIONS



A. No electrician required

- I The purifier comes with a 120V type B Grounded Plug and plugs into standard NEMA 5-15 outlet. Unit does not require special electrical connections.
- II Do not place within 10' of copiers and printers
- III **PURIFIER IS NOT COMPATIBLE WITH GFCI CIRCUITS**

B. Read and follow instructions.

- I Read and operate the mobile purifier according to these instructions and keep a copy for future use.
- II Failure to follow these instructions voids the warranty.
- III Do not use this product for other than its intended use.

C. Follow safety precautions.

- I Follow safety precautions. To prevent injury, the mobile purifier must be operated according to these instructions. Failure to do so could result in serious injury or death.
- II This unit uses UVC lighting. Do not look at the lamps while operating
- III Turn off all power before servicing

D. Mercury lamp disposal and clean up

- I If a lamp breaks, please follow instructions found here:
<https://www.epa.gov/cfl/cleaning-broken-cfl>
- II See the following website for disposal information:
<https://www.epa.gov/cfl/recycling-and-disposal-cfls-and-other-bulbs-contain-mercury#wherecycle>



CAUTION UVC RADIATION HAZARD

IMPORTANT SAFETY INSTRUCTIONS

- **READ AND FOLLOW ALL SAFETY INSTRUCTIONS**
- FOLLOW NATIONAL ELECTRIC CODE DURING INSTALLATION
- INSTALLATION BY QUALIFIED PERSONNEL ONLY
- WARNING: RISK OF ELECTRICAL SHOCK
- FIXTURE MUST BE GROUNDED
- TURN OFF POWER AT BREAKER BEFORE INSTALLATION OR SERVICING
- **SAVE THESE INSTRUCTIONS**

IMPORTANT SAFEGUARDS

When using electrical equipment, basic safety precautions should always be followed including the following:

READ AND FOLLOW ALL SAFETY INSTRUCTIONS

- a) This equipment is designed for use with germicidal UV radiation sources and must be installed in compliance with competent technical directions to prevent risk of personal injury from UV radiation.
- b) UV radiation can pose a risk of personal injury. Overexposure can result in damage to eyes and bare skin. To reduce the risk of overexposure this equipment must be installed in accordance with the manufacturer's site planning recommendations. This may include instructions on the relative location of each germicidal system component, the minimum distances between UV-generating devices and other objects or surfaces, and protection from line-of-sight exposure to UV radiation in occupied spaces located above the equipment mounting area (e.g. upper floor balconies, open staircases, etc.
- c) UV and optical radiation can be reflected by surrounding surfaces such as ceilings and walls. Since the reflective properties of surfaces can vary widely, it should be considered as part of site planning. Follow the manufacturer's recommendations for selecting appropriate ceiling and wall finishes.
- d) **IT IS THE RESPONSIBILITY OF THE INSTALLER TO ENSURE THAT PERSONS WILL NOT BE EXPOSED TO EXCESSIVE UV OR OPTICAL RADIATION DURING EQUIPMENT OPERATION. THIS WILL REQUIRE THE INSTALLER TO CONDUCT AN ASSESSMENT OF IRRADIANCE LEVELS IN THE SURROUNDING OCCUPIED SPACES PRIOR TO OCCUPANCY.**
- e) Equipment should be mounted in locations and at heights where it will not readily be subjected to tampering by unauthorized personnel.
- f) Maintenance and servicing of this UV generating equipment shall be performed by authorized personnel. Service personnel must wear appropriate Personal Protective Equipment (PPE) if the equipment will be in separation during the maintenance or servicing work. Contact the equipment manufacturer for PPE recommendations and guidance.
- g) When replacing lamps, replace them only with the lamps for which the equipment is marked and intended.
- h) The use of accessory equipment not recommended by the manufacturer may cause an unsafe condition.
- i) Do not use this equipment for other than intended use.

SAVE THESE INSTRUCTIONS

UVC radiation can cause severe eye and skin damage. Never look directly at lamp while on. Always turn product off before lamp replacement. Fixture must be installed and operated in strict accordance with these instructions.



ATTENTION RISQUE DE RAYONNEMENT UVC

CONSIGNES DE SÉCURITÉ IMPORTANTES

• LISEZ ET SUIVEZ TOUTES LES CONSIGNES DE SÉCURITÉ

- SUIVEZ LE CODE ÉLECTRIQUE NATIONAL PENDANT L'INSTALLATION
- INSTALLATION PAR UN PERSONNEL QUALIFIÉ UNIQUEMENT
- AVERTISSEMENT: RISQUE DE CHOC ÉLECTRIQUE
- L'APPAREIL DOIT ÊTRE MIS À LA TERRE
- COUPEZ L'ALIMENTATION AU DISJONCTEUR AVANT L'INSTALLATION OU L'ENTRETIEN

• CONSERVEZ CES INSTRUCTIONS

- AVERTISSEMENT: NE CONVIENT PAS À UNE UTILISATION AVEC DES CONTRÔLES DE VITESSE À ÉTAT SOLIDE

GARANTIES IMPORTANTES

Lors de l'utilisation d'équipements électriques, des précautions de sécurité de base doivent toujours être suivies, notamment les suivantes:

LISEZ ET SUIVEZ TOUTES LES CONSIGNES DE SÉCURITÉ

- a) Cet équipement est conçu pour être utilisé avec des sources de rayonnement UV germicides et doit être installé conformément aux instructions techniques compétentes pour éviter tout risque de blessure par les rayons UV.
- b) Le rayonnement UV peut présenter un risque de blessure corporelle. Une surexposition peut endommager les yeux et la peau nue. Pour réduire le risque de surexposition, cet équipement doit être installé conformément aux recommandations de planification du site du fabricant. Cela peut inclure des instructions sur l'emplacement relatif de chaque composant du système germicide, les distances minimales entre les dispositifs générateurs d'UV et d'autres objets ou surfaces, et la protection contre l'exposition en visibilité directe aux rayons UV dans les espaces occupés situés au-dessus de la zone de montage de l'équipement (par exemple, balcons à l'étage supérieur, escaliers ouverts, etc.
- c) Les rayons UV et optiques peuvent être réfléchis par les surfaces environnantes telles que les plafonds et les murs. Étant donné que les propriétés réfléchissantes des surfaces peuvent varier considérablement, elles doivent être prises en compte dans le cadre de la planification du site. Suivez les recommandations du fabricant pour sélectionner les finitions de plafond et de mur appropriées.
- d) IL EST DE LA RESPONSABILITÉ DE L'INSTALLATEUR DE S'ASSURER QUE LES PERSONNES NE SERONT PAS EXPOSÉES À DES RADIATIONS UV OU OPTIQUES EXCESSIVES PENDANT LE FONCTIONNEMENT DE L'ÉQUIPEMENT. CELA EXIGERA L'INSTALLATEUR DE PROCÉDER À UNE ÉVALUATION DES NIVEAUX D'IRRADIANCE DANS LES ESPACES OCCUPÉS ENVIRONNANTS AVANT L'OCCUPATION.
- e) L'équipement doit être installé dans des endroits et à des hauteurs où il ne sera pas facilement soumis à une altération par du personnel non autorisé.
- f) La maintenance et l'entretien de cet équipement générant des UV doivent être effectués par du personnel autorisé. Le personnel d'entretien doit porter un équipement de protection individuelle (EPI) approprié si l'équipement doit être séparé pendant les travaux d'entretien ou de réparation. Contactez le fabricant de l'équipement pour obtenir des recommandations et des conseils sur l'EPI.
- g) Lors du remplacement des lampes, remplacez-les uniquement par les lampes pour lesquelles l'équipement est marqué et conçu.
- h) L'utilisation d'équipements accessoires non recommandés par le fabricant peut entraîner une situation dangereuse.
- i) N'utilisez pas cet équipement à d'autres fins que celles pour lesquelles il a été conçu.

CONSERVEZ CES INSTRUCTIONS

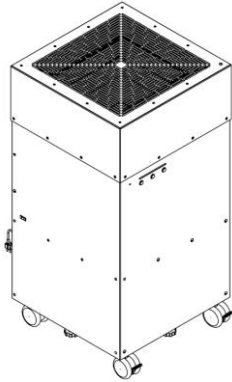
Le rayonnement UVC peut provoquer de graves lésions oculaires et cutanées. Ne regardez jamais directement la lampe lorsqu'elle est allumée. Éteignez toujours le produit avant de remplacer la lampe. L'appareil doit être installé et utilisé en stricte conformité avec ces instructions. Appareil fonctionnant selon les directives du fabricant.

2. UNPACK YOUR UVC MOBILE PURIFIER

A. Verify the contents.

Unpack the box, identify and verify all contents prior to installation. In general, your tower will include the following:

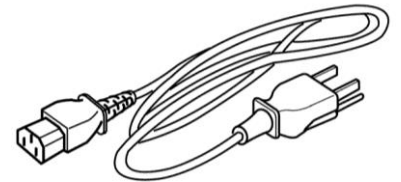
UVC Mobile Purifier



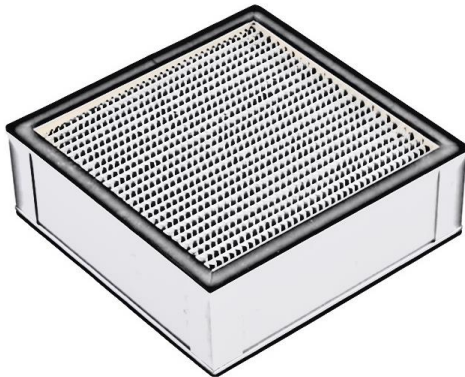
UVC Lamps



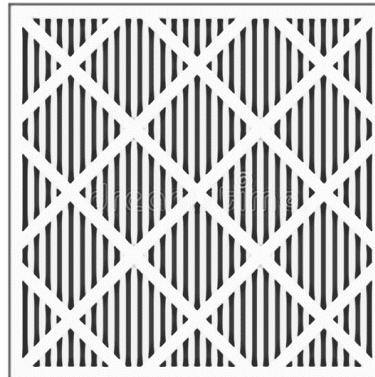
Power Cord



HEPA Filter (Pre-Installed)



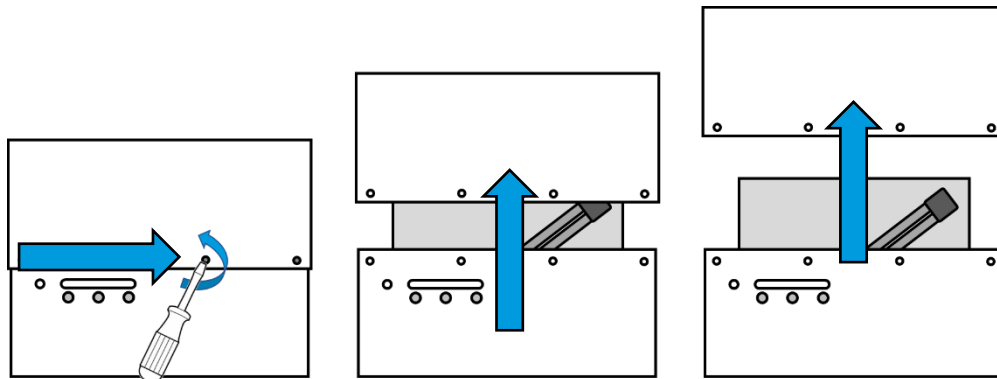
Carbon/PreFilter (Pre-Installed)



3. INSTALL THE LAMPS AND CONNECT TO POWER

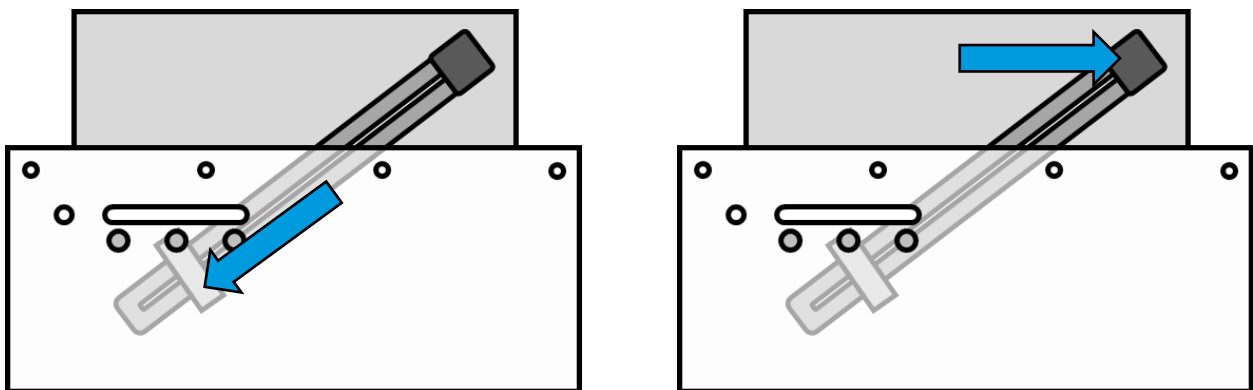
A. Turn off the power and remove the lid

- I Be sure there is no power to the unit
 - a. Unplug the power cord from the wall
 - b. Turn the master power switch to off
 - c. Check the power indicator lights (no lights should be visible)
- II Using a flat head screwdriver, remove the 16 screws from around the upper portion of the tower
- III Note original orientation of the unit cover. Cover must be installed in the same orientation



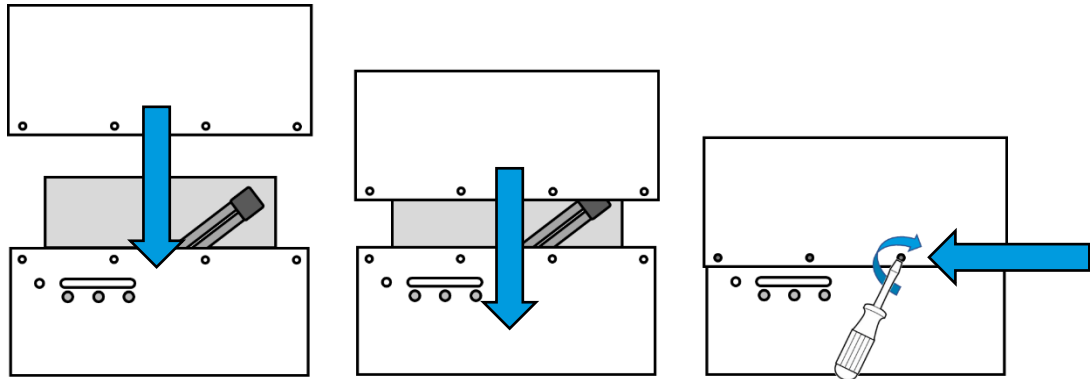
B. Install the Lamps

- I Lower the u-shaped end of the lamp into the space between the inner and outer walls and insert the end into the clip mounted on the inside.
- II Push the end with the pins down into the socket near the top of the inner wall until you hear/feel it click into place
- III Repeat for the other lamp
- IV If necessary, follow any prescribed cleaning instructions
- V When changing the lamps, remove them by pushing the red button on the lamp holder and lift the end of the lamp out of the socket and then withdrawing the end from the clamp



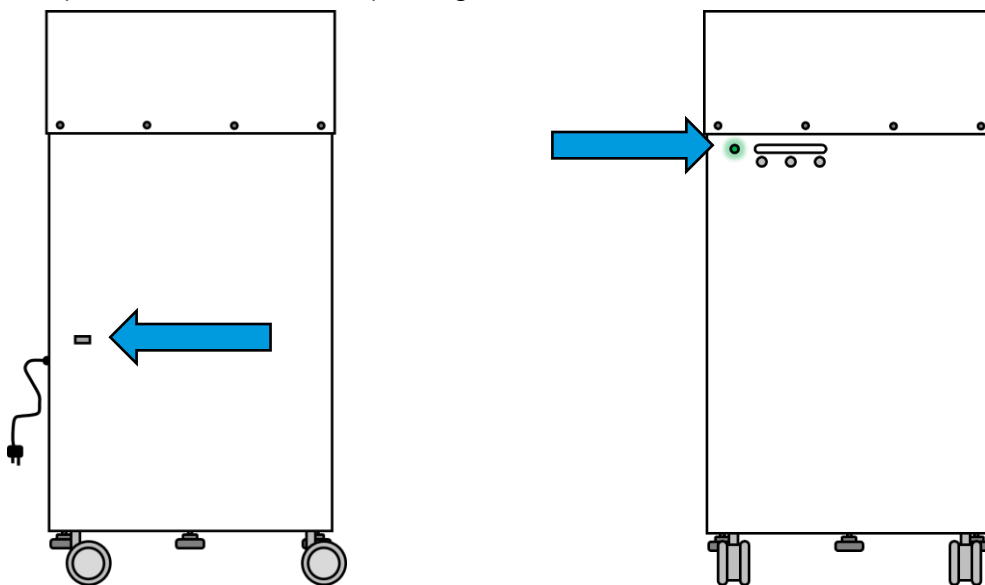
C. Close the lid and secure

- I Lower the lid back over the unit, lining up the holes. The Safeology logo should be visible on the front and both sides (but not the back)
- II Using the flathead screwdriver, secure lid to the body with the 16 screws previously removed (4 per side)



D. Connect power cord and turn on

- I Locate the female end of the power cord and insert into the receiver at the back of the purifier
 - a. Unspool the cable and plug the male end of the cord into a wall socket
 - b. Purifier requires 11 Amps when on High. Recommend one purifier per circuit to prevent tripping
- II Turn the power on by using the master power switch located on the side of the tower. This will not activate the fan, or the UVC lamps
- III The power indicator light to the left of the fan control will turn on when the unit is ready for use
 - a. If purifier is enabled with WIFI, power light will flash until WIFI connection is established



E. Adjust fan speed as desired

- I Using the fan speed controls on the front of the purifier, select desired air circulation
 - a. Low – select the left button.
 - b. Medium – select the center button.
 - c. High – select the right button
 - d. Turbo – push and hold the right button
- II The indicator will light up progressively as the fan speed gets higher
- III To turn off, hold the left button for 2 seconds



4. CHANGING THE FILTERS

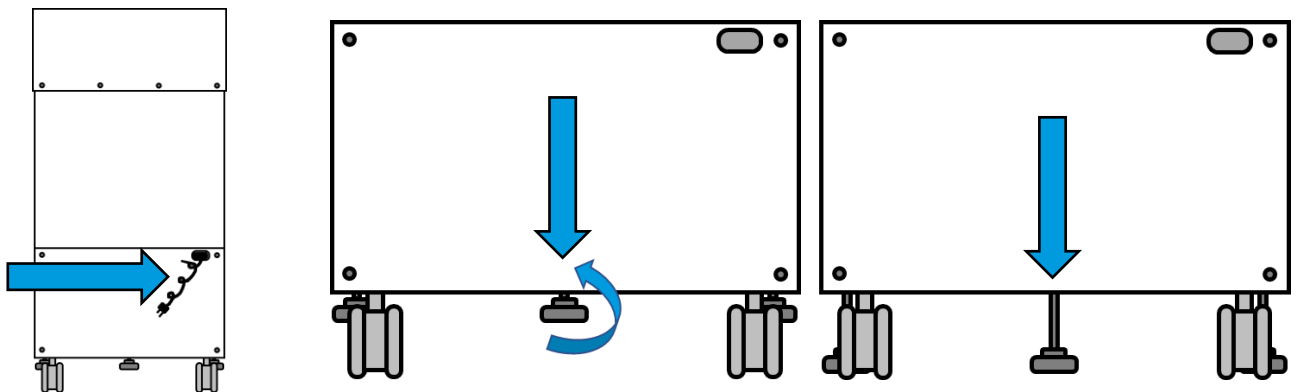
See section 7 "Care and Cleaning" for the recommended filter life

A. Turn off the power

- I Turn the master power switch to off
- II Unplug the power cord from the wall
- III Check the power indicator lights (no lights should be visible)

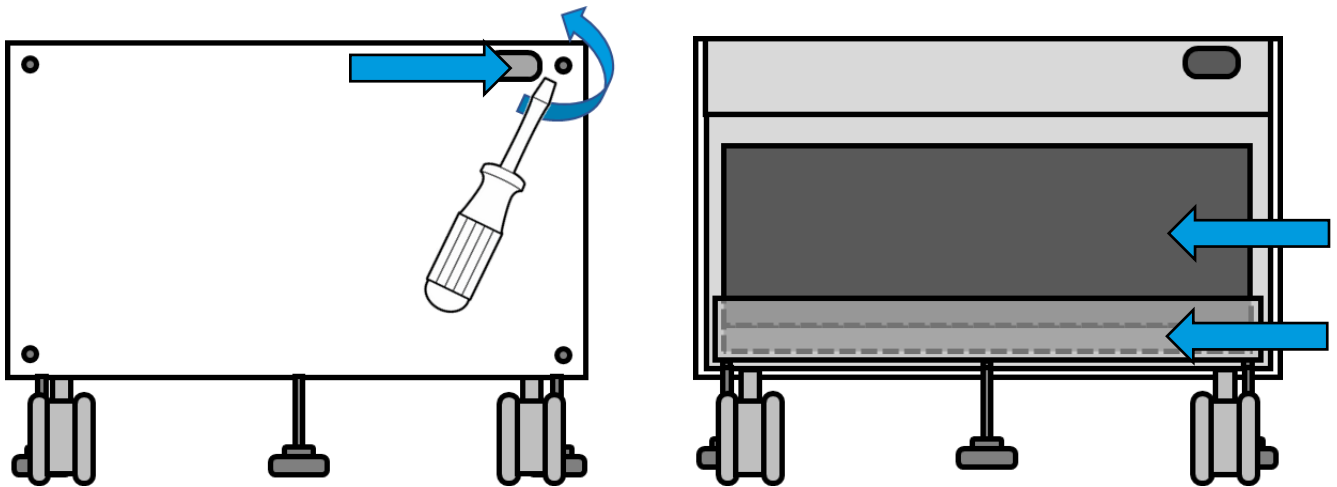
B. Remove the power cord and release the filter knobs

- I Remove the power plug from the purifier at the back
- II Release the knobs holding the filters secure the fan mount. Repeat on all four sides
- III Knobs not unscrewed far enough may impede the filter drawer. Loosen until the filter drawer is sitting on the rails.



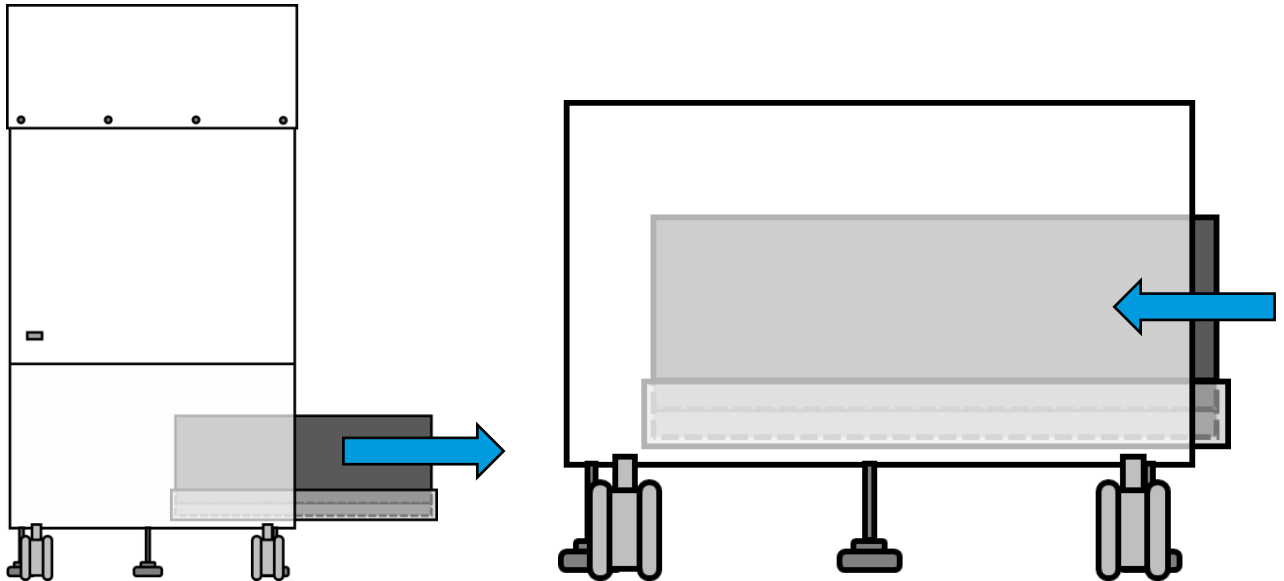
C. Remove the back panel

- I Using a screwdriver, remove the 4 screws holding the panel in place on the back of the unit
- II Remove the panel exposing the filter drawer
 - a. The carbon/pre filter is at the bottom of the drawer
 - b. The HEPA filter sits directly on top of the carbon/prefilter, but extends beyond the top of the drawer



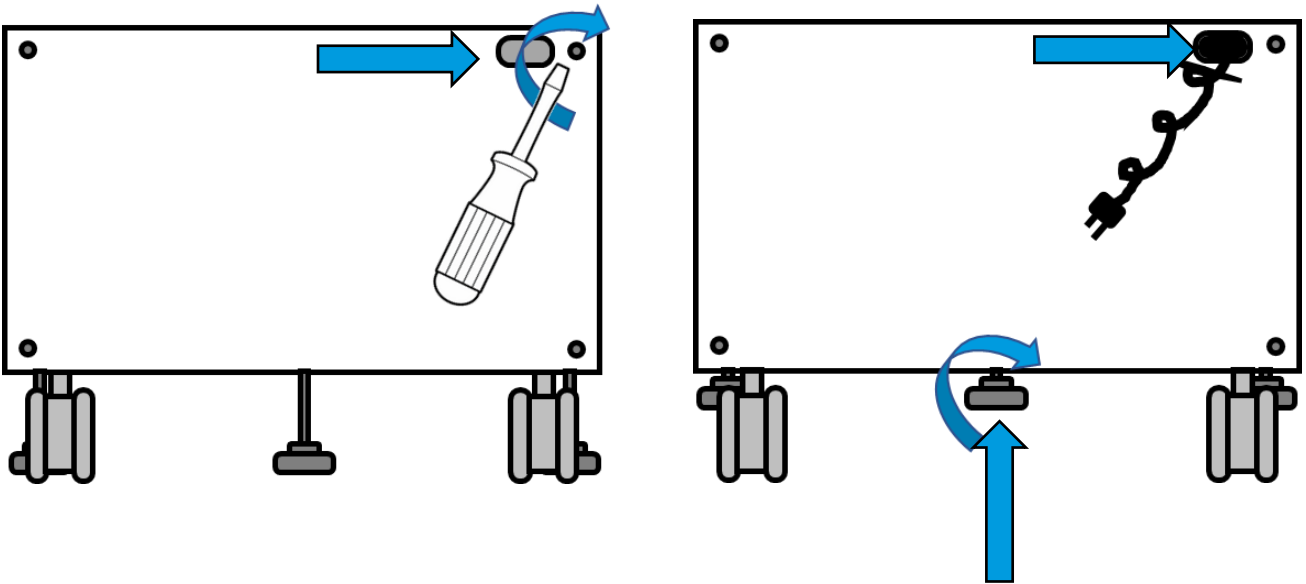
D. Replace the filters

- I Pull the drawer out far enough to remove the filters
 - a. If the drawer is stuck, see step 5B
- II Be sure to wear proper PPE (such as dust mask, gloves, and goggles)
- III If replacing the carbon/prefilter only
 - a. Gently set the HEPA filter aside
 - b. Place the new carbon/prefilter in the bottom as directed, ensuring the airflow direction arrow is pointed up
 - c. Replace the HEPA filter, ensuring the airflow direction arrow is pointed up
 - d. The old carbon/prefilter can be placed straight in a trash bin. DO NOT RECYCLE
- IV If replacing the HEPA filter
 - a. Remove the HEPA filter and in a bag and place in the trash.
 - b. Place the new carbon filter in the drawer, ensuring the airflow direction arrow is pointed up
 - c. Place the HEPA filter on top, ensuring the airflow direction arrow is pointed up
 - d. The old HEPA filter can be placed straight in a trash bin. DO NOT RECYCLE
- V Push the drawer back into the purifier



E. Reattach back panel and secure filter knobs

- I Replace the access panel on the back of the purifier
- II Using a screwdriver, replace the 4 screws to secure the access panel
- III Screw the filter knobs back into place
 - a. These knobs push the filters against the fan to create the seal
 - b. Be sure these are screwed down tight – do not stop at the first encounter of resistance
 - c. You may need to work around the purifier several times to make sure the fit is tight
- IV Reattach the power cord



5. CARE AND CLEANING INSTRUCTIONS

Failure to follow the below will void the warranty

A. Use soft, grit-free and lint-free cloths to reduce the chance of scratching the surface.

B. Never spray water or cleaner directly onto the purifier

- I Instead, apply it directly to the cloth, then wipe
- II Ensure everything is thoroughly dry

A. Lamps

- I Should be cleaned every 3 months
 - a. Apply alcohol to a rag and wipe down the lamp
 - b. Do not use water
- II Replace lamps every year or 12,000 hours of operation.
 - a. Lamp must match specification listed on label in housing
 - b. See above for installation instructions

C. Filters

- I HEPA Filter
 - a. Should be replaced every year, or 2,600 hours
 - b. Replacement cycles may vary based on usage and environmental factors
- II Carbon/Pre-filters
 - a. Should be replaced every three months, or 650 hours
 - b. Replacement cycles may vary based on usage and environmental factors
- III Wear PPE as needed (gloves, masks, etc.) when replacing
- IV Filters are not cleanable, dispose and replace as directed in 4D above