

EPA Est. 96318-WA-1

## CONGRATULATIONS

You've purchased a Series R UVC Upper Room Linear Wall Fixture that will help disinfect the air in your facility.

Please read these instructions thoroughly before operating the fixture. If you have any questions, please contact our Customer Experience team at 425.595.6330, or [support@safeology.com](mailto:support@safeology.com)

## APPLICATION

These installation instructions apply only to Ultraviolet – C (UVC) linear wall fixtures manufactured for Safeology by its parent company Electric Mirror, referred to as "fixture" throughout this Installation and Operating Instructions manual.

## TABLE OF CONTENTS

|   |   |
|---|---|
| 1. ENSURING INSTALLATION SAFETY.....                      | 2 |
| 2. UNPACKING YOUR UVC UPPER ROOM LINEAR WALL FIXTURE..... | 5 |
| 3. PREPARING THE ELECTRICAL.....                          | 5 |
| 4. INSTALLING THE FIXTURE.....                            | 6 |
| 5. CONNECTING ELECTRICAL AND INSTALLING THE LAMPS.....    | 8 |
| 6. OPERATING THE FIXTURE.....                             | 9 |

### 1. ENSURING INSTALLATION SAFETY



**A. Ensure installation is done by a qualified electrician.**

- I. Follow national electric code during installation.
- II. Turn power off at breaker before installation or servicing.
- III. Be careful to avoid risk of electrical shock.
- IV. Ensure fixture is grounded.
- V. Ensure bottom edge of fixture is mounted minimum of 8'2" from finished floor.

**B. Read and follow all instructions.**

- I. Install and operate fixture according to instructions.
- II. Keep copy of instructions for future use.
- III. Failure to follow instructions voids warranty.
- IV. Do not use product for any purpose other than its intended use.

**C. Follow all safety precautions.**

- I. Follow all safety precautions.
- II. To prevent injury, fixture must be operated according to instructions; failure to do so could result in serious injury or death.
- III. Fixture uses UVC lighting; do not look at UVC lamps while operating.
- IV. Turn off all power before servicing.

**D. Clean up and dispose of mercury lamps correctly.**

- I. If lamp breaks, follow instructions found here:  
<https://www.epa.gov/cfl/cleaning-broken-cfl>
- II. See following website for disposal information:  
<https://www.epa.gov/cfl/recycling-and-disposal-cfls-and-other-bulbs-contain-mercury#whererecycle>



## **CAUTION UVC RADIATION HAZARD**



### **IMPORTANT SAFETY INSTRUCTIONS**

- READ AND FOLLOW ALL SAFETY INSTRUCTIONS
- FOLLOW NATIONAL ELECTRIC CODE DURING INSTALLATION
- INSTALLATION BY QUALIFIED PERSONNEL ONLY
- WARNING: RISK OF ELECTRICAL SHOCK
- FIXTURE MUST BE GROUNDED
- TURN OFF POWER AT BREAKER BEFORE INSTALLATION OR SERVICING
- SAVE THESE INSTRUCTIONS

### **IMPORTANT SAFEGUARDS**

When using electrical equipment, basic safety precautions should always be followed, including the following:

### **READ AND FOLLOW ALL SAFETY INSTRUCTIONS**

1. This equipment is designed for use with germicidal UV radiation sources and must be installed in compliance with competent technical directions to prevent risk of personal injury from UV radiation.
2. UV radiation can pose a risk of personal injury. Overexposure can result in damage to eyes and bare skin. To reduce the risk of overexposure this equipment must be installed in accordance with the manufacturer's site planning recommendations. This may include instructions on the relative location of each germicidal system component, the minimum distances between UV-generating devices and other objects or surfaces, and protection from line-of-sight exposure to UV radiation in occupied spaces located above the equipment mounting area (e.g. upper floor balconies, open staircases, etc.).
3. UV and optical radiation can be reflected by surrounding surfaces such as ceilings and walls. Since the reflective properties of surfaces can vary widely, it should be considered as part of site planning. Follow the manufacturer's recommendations for selecting appropriate ceiling and wall finishes.
4. IT IS THE RESPONSIBILITY OF THE INSTALLER TO ENSURE THAT PERSONS WILL NOT BE EXPOSED TO EXCESSIVE UV OR OPTICAL RADIATION DURING EQUIPMENT OPERATION. THIS WILL REQUIRE THE INSTALLER TO CONDUCT AN ASSESSMENT OF IRRADIANCE LEVELS IN THE SURROUNDING OCCUPIED SPACES PRIOR TO OCCUPANCY.
5. Equipment should be mounted in locations and at heights where it will not readily be subjected to tampering by unauthorized personnel.
6. Maintenance and servicing of this UV generating equipment shall be performed by authorized personnel. Service personnel must wear appropriate Personal Protective Equipment (PPE) if the equipment will be in separation during the maintenance or servicing work. Contact the equipment manufacturer for PPE recommendations and guidance.
7. When replacing lamps, replace them only with the lamps for which the equipment is marked and intended.
8. The use of accessory equipment not recommended by the manufacturer may cause an unsafe condition.
9. Do not use this equipment for other than intended use.

### **SAVE THESE INSTRUCTIONS**

UVC radiation can cause severe eye and skin damage. Never look directly at lamp while on. Always turn product off before lamp replacement. Fixture must be installed and operated in strict accordance with these instructions. Fixture must not be mounted below manufacturer's recommended height, measured from finished floor to bottom of fixture. Ensure placement does not allow direct sight from stairwells, loft's, or other elevated occupied spaces



## **ATTENTION RISQUE DE RAYONNEMENT UVC**



### **CONSIGNES DE SÉCURITÉ IMPORTANTES**

- LISEZ ET SUIVEZ TOUTES LES CONSIGNES DE SÉCURITÉ
- SUIVEZ LE CODE ÉLECTRIQUE NATIONAL PENDANT L'INSTALLATION
- INSTALLATION PAR UN PERSONNEL QUALIFIÉ UNIQUEMENT
- AVERTISSEMENT: RISQUE DE CHOC ÉLECTRIQUE
- L'APPAREIL DOIT ÊTRE MIS À LA TERRE
- COUPEZ L'ALIMENTATION AU DISJONCTEUR AVANT L'INSTALLATION OU L'ENTRETIEN
- CONSERVEZ CES INSTRUCTIONS
- AVERTISSEMENT: NE CONVIENT PAS À UNE UTILISATION AVEC DES CONTRÔLES DE VITESSE À ÉTAT SOLIDE

### **GARANTIES IMPORTANTES**

Lors de l'utilisation d'équipements électriques, des précautions de sécurité de base doivent toujours être suivies, notamment les suivantes:

### **LISEZ ET SUIVEZ TOUTES LES CONSIGNES DE SÉCURITÉ**

- a) Cet équipement est conçu pour être utilisé avec des sources de rayonnement UV germicides et doit être installé conformément aux instructions techniques compétentes pour éviter tout risque de blessure par les rayons UV.
- b) Le rayonnement UV peut présenter un risque de blessure corporelle. Une surexposition peut endommager les yeux et la peau nue. Pour réduire le risque de surexposition, cet équipement doit être installé conformément aux recommandations de planification du site du fabricant. Cela peut inclure des instructions sur l'emplacement relatif de chaque composant du système germicide, les distances minimales entre les dispositifs générateurs d'UV et d'autres objets ou surfaces, et la protection contre l'exposition en visibilité directe aux rayons UV dans les espaces occupés situés au-dessus de la zone de montage de l'équipement ( par exemple, balcons à l'étage supérieur, escaliers ouverts, etc.
- c) Les rayons UV et optiques peuvent être réfléchis par les surfaces environnantes telles que les plafonds et les murs. Étant donné que les propriétés réfléchissantes des surfaces peuvent varier considérablement, elles doivent être prises en compte dans le cadre de la planification du site. Suivez les recommandations du fabricant pour sélectionner les finitions de plafond et de mur appropriées.
- d) IL EST DE LA RESPONSABILITÉ DE L'INSTALLATEUR DE S'ASSURER QUE LES PERSONNES NE SERONT PAS EXPOSÉES À DES RADIATIONS UV OU OPTIQUES EXCESSIVES PENDANT LE FONCTIONNEMENT DE L'ÉQUIPEMENT. CELA EXIGERA L'INSTALLATEUR DE PROCÉDER À UNE ÉVALUATION DES NIVEAUX D'IRRADIANCE DANS LES ESPACES OCCUPÉS ENVIRONNANTS AVANT L'OCCUPATION.
- e) L'équipement doit être installé dans des endroits et à des hauteurs où il ne sera pas facilement soumis à une altération par du personnel non autorisé.
- f) La maintenance et l'entretien de cet équipement générant des UV doivent être effectués par du personnel autorisé. Le personnel d'entretien doit porter un équipement de protection individuelle (EPI) approprié si l'équipement doit être séparé pendant les travaux d'entretien ou de réparation. Contactez le fabricant de l'équipement pour obtenir des recommandations et des conseils sur l'EPI.
- g) Lors du remplacement des lampes, remplacez-les uniquement par les lampes pour lesquelles l'équipement est marqué et conçu.
- h) L'utilisation d'équipements accessoires non recommandés par le fabricant peut entraîner une situation dangereuse.
- i) N'utilisez pas cet équipement à d'autres fins que celles pour lesquelles il a été conçu.

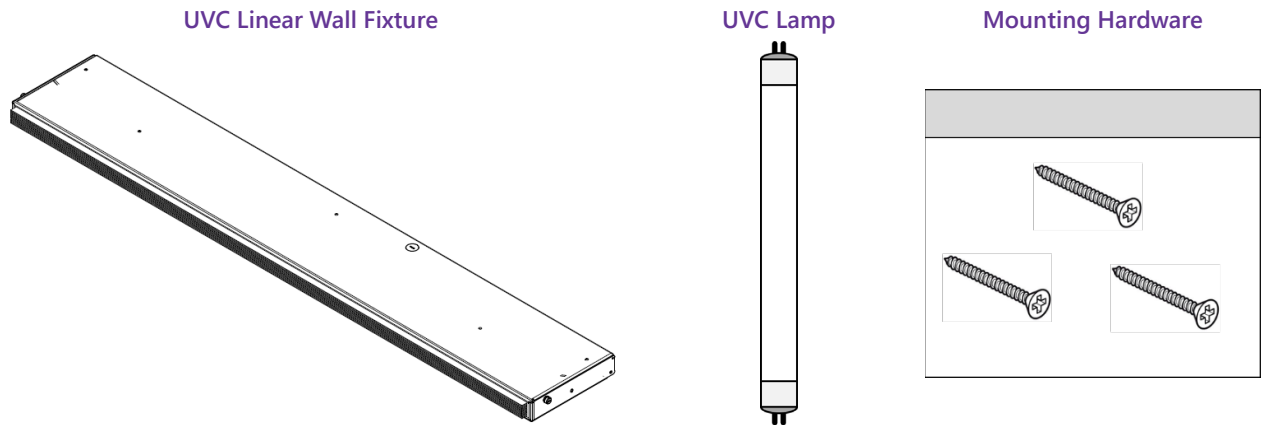
### **CONSERVEZ CES INSTRUCTIONS**

Le rayonnement UVC peut provoquer de graves lésions oculaires et cutanées. Ne regardez jamais directement la lampe lorsqu'elle est allumée. Éteignez toujours le produit avant de remplacer la lampe. L'appareil doit être installé et utilisé en stricte conformité avec ces instructions. Appareil fonctionnant selon les directives du fabricant.

## 2. UNPACKING YOUR UVC UPPER ROOM LINEAR WALL FIXTURE

### A. Verify the contents.

Unpack, identify, and verify all contents prior to installation. In general, fixture will include the following:



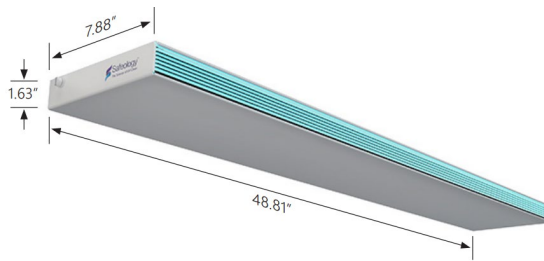
## 3. PREPARING THE ELECTRICAL

- A. **Ensure all power is off to installation area by turning off breaker.**
- B. **Ensure fixture will be controlled by on/off switch on wall.**
- C. **Run wiring through 1/2" flexible conduit to knockout location specified below.**
  - I. For cord connected fixtures, mount fixture above existing outlet.

### 4. INSTALLING THE FIXTURE

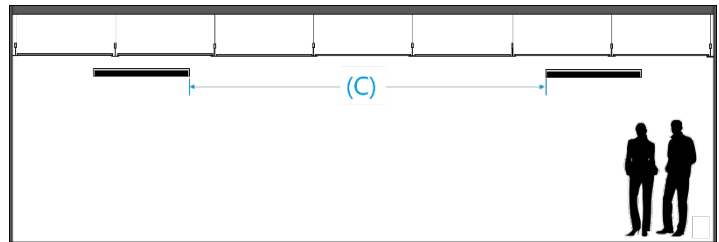
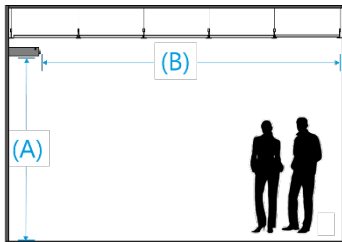
#### A. Determine location where fixture will be mounted.

- I. Placement of fixture is critical for safe and effective operation.
  - a. Mount the fixture in an area with good air circulation for best results.
  - b. Follow installation instructions carefully.
  - c. Consider any ceiling reflection of UVC.
  - d. Survey the room immediately after installation with a UVC detection meter to ensure safe level of UVC in occupied spaces.
- II. Ceiling height locations.
  - a. Identify the fixture purchased:



- b. Identify appropriate installation height using the table and diagram below (diagram not to scale). Measure installation height from the top of the finished floor to the bottom of the fixture.

| Fixture | Minimum Installation Height (A) | Maximum distance to opposing wall parallel to fixture (B) | Minimum separation between fixtures on same wall (end to end) (C) |
|---------|---------------------------------|---|---|
| SRLW-50 | 8' 2"                           | 17' 0"  | 4' 0"   |
| SRLW-50 | 8' 6"                           | 32' 0"  | 8' 0"   |



\* These distances are calculated based on the installation heights (A). different heights may require different separation distances.

# Series R: UVC Upper Room Linear Wall Fixture

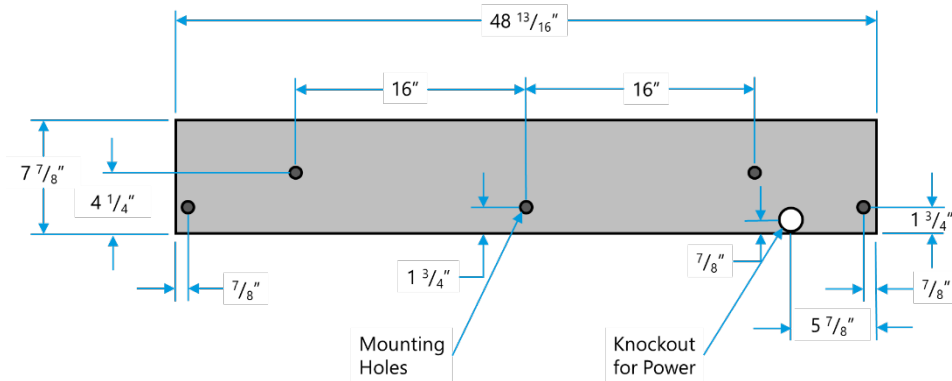
## Installation and Operating Instructions

### B. Prepare for mounting fixture.

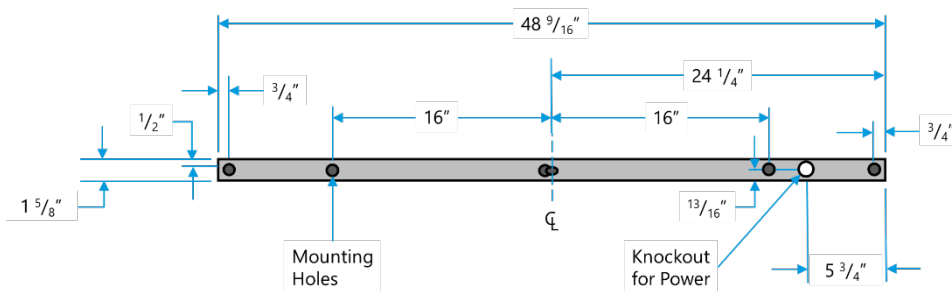
- I. Locate center mounting hole on center of wall stud or ceiling joist.
- II. Use three mounting holes 16" on center.
- III. Mounting hardware included.

### C. Mark mounting hole locations on wall or ceiling.

- I. For mounting fixture on ceiling:

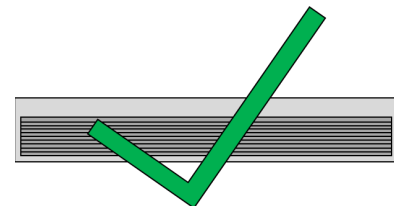
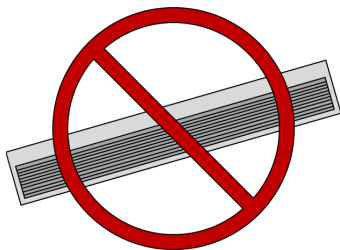


- II. For mounting fixture on wall:



### D. Mount the fixture.

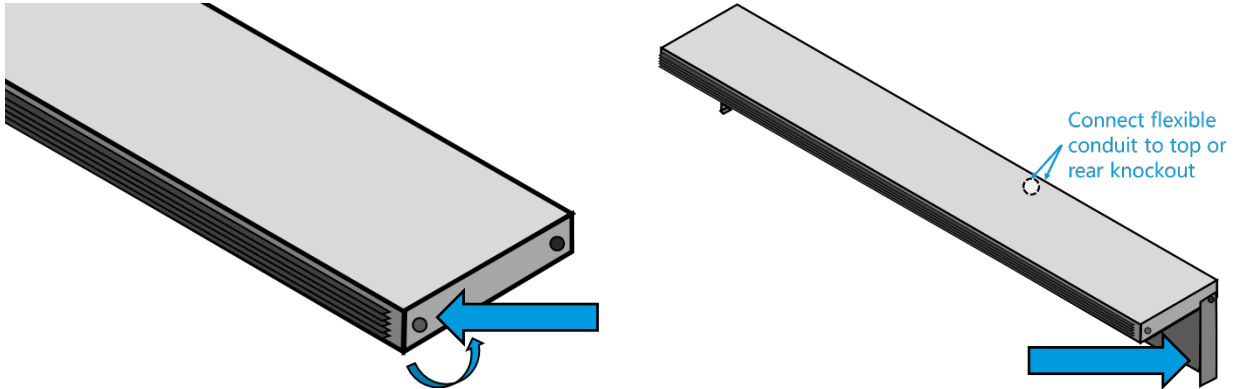
- I. Align fixture mounting holes over marked locations on ceiling or wall as outlined above.
- II. Use provided mounting screws for mounting to studs or joists.
- III. Fixture must be hung level on all 3 axis to ensure no exposure of UVC.



### 5. CONNECTING ELECTRICAL AND INSTALLING THE LAMPS

#### A. Connect the electrical – *hardwire* option.

- I. Skip and move to step 5B for cord-connect option.
- II. Remove thumb screw on left and right sides to open fixture.



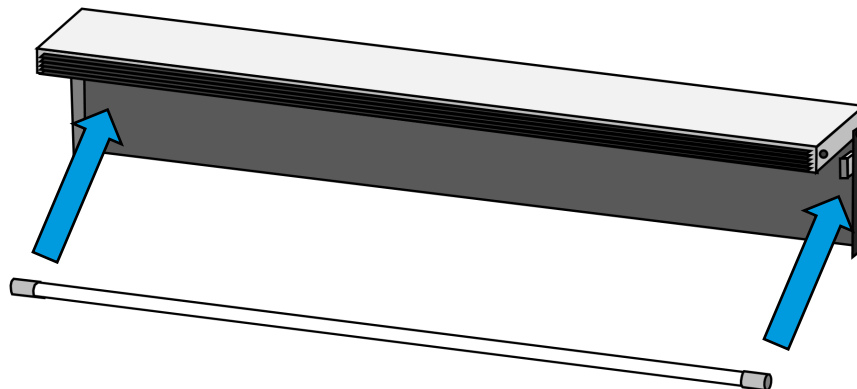
- I. Connect flexible conduit to fixture and make wiring connections.
  - a. Use appropriate termination fitting for ½" flexible conduit.
  - b. Strip ends of wire 7/16".
  - c. Insert ground wire into green wire port – fixture must be grounded.
  - d. Insert hot wire into port 1 (black) of luminaire disconnect.
  - e. Insert neutral wire into port 2 (white) of luminaire disconnect.

#### B. Connect the electrical – *cord-connect* option.

- I. Plug male end of power cord into outlet below fixture.
- II. Outlet should be controlled by on/off wall switch.

#### C. Install the lamp.

- I. Insert pins of lamp into holder on both ends.
- II. Rotate lamp 90°.



#### D. Close the fixture.

- I. Return fixture to closed position.
- II. Tighten thumb screws on both left and right sides.



## 6. OPERATING THE FIXTURE

- A. **Fixture is operated by on/off wall switch.**
- B. **Replacing the lamps**
  - I. Turn off power.
    - a. Unplug power cord from wall or turn wall switch to off.
    - b. Fixture will remain on until turned off.
    - c. Fixture also has internal safety switch that will turn off lamp if housing is opened by removing thumb screws.
  - II. Remove lamp.
    - a. Open bottom of fixture via thumb screws.
    - b. Rotate lamp 90° and remove lamp.
    - c. Install new lamp via step 5C above.
- C. **Ensure UVC lamp is operational.**
  - I. Always ensure UVC lamp is operational after device has been switched off.
  - II. UVC lamp will emit a small amount of light in the visible spectrum.
  - III. To verify the fixture is on:
    - a. Look up towards fixture for soft blue glow.
    - b. Never look directly at lamp while on.

## 7. CARING FOR AND CLEANING THE FIXTURE

Failure to follow directions below will void warranty.

- A. **Always turn off power at circuit breaker prior to servicing.**
- B. **Use soft, grit-free, and lint-free cloths to reduce chance of scratching.**
- C. **Never spray liquid directly onto fixture.**
  - I. Instead, apply directly to cloth, then wipe.
  - II. Ensure everything is thoroughly dry.
- D. **Clean and replace lamps at recommended intervals.**
  - I. Clean every 3 months using alcohol.
  - II. Replace lamps every year or 9,000 hours of operation.
    - a. Lamp must match specification listed on label in housing.
    - b. See above for installation instructions.
- E. **Clean louvers at recommended intervals.**
  - I. Dust every 3 months.
  - II. Use dry duster or vacuum.